





MIAMI-DADE
COUNTY

— APPROVAL —
NOA# 20 - 124.02

Many deck or porch awnings don't give you complete coverage, leaving some parts of your deck exposed to the sun. The Summit is the perfect awning if you have a large outdoor living space. With its extra long projection, it's ideal for commercial use too. The Summit retractable awning is the best way to maximize your protection from the sun and heat.

- ▼ Awning Widths up to 40 feet (Ships up to 26' in one piece)
- ▼ Awning Projections of 14'9" and 16'6"
- ▼ Heavy Duty, Commercial Grade
- ▼ Optional Protective Hood
- ▼ Choose from more than 150 long lasting, fade resistant solution dyed acrylic  fabrics to best match your unique décor and style
- ▼ Motorized, with a full line of electronic enhancements by 
- ▼ Heavy duty 50mm x 50mm torsion bar for increased unit rigidity
- ▼ Emerald Protection is included and Diamond Protection is optional
- ▼ Frame available in White, Camel, Spartan Bronze and Onyx

PRODUCT DETAILS AND TECHNICAL SPECS

WARRANTY INFORMATION

Frame: Lifetime*

Fabric: 12 Years*

Motor/Electronics: 8 Years*

*To the original purchaser

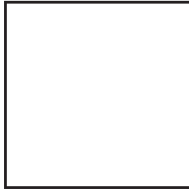
INCLUDED:



OPTIONAL:



HARDWARE COLOR OPTIONS



WHITE



CAMEL



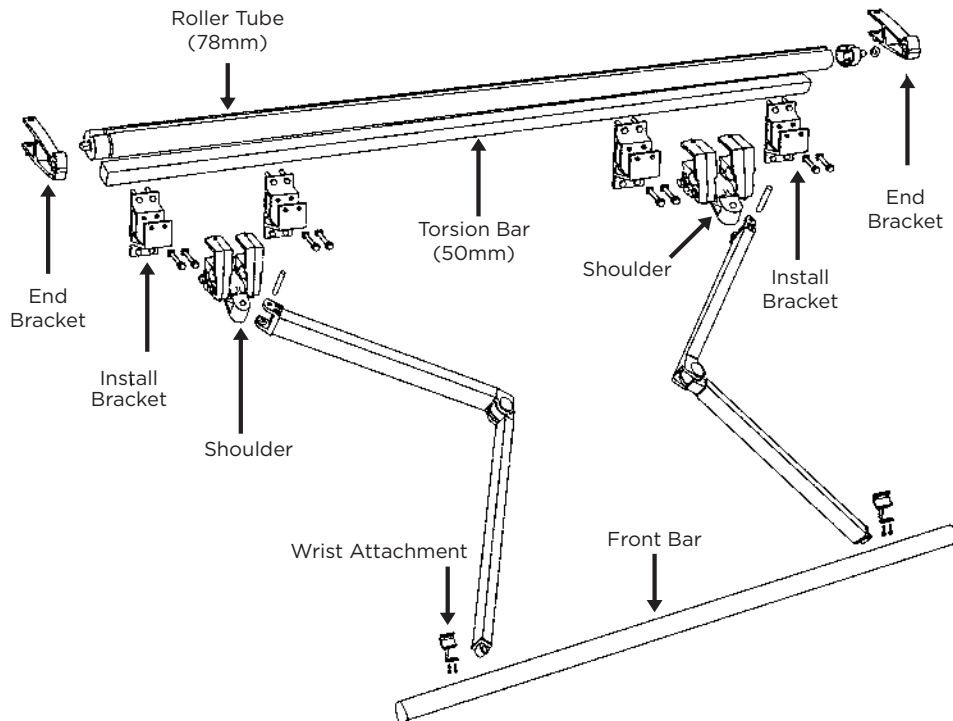
SPARTAN
BRONZE



ONYX

UNIT EXPANDED VIEW

*Optional Hood
Not Shown Here

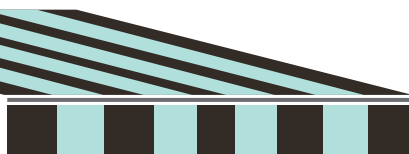


MINIMUM PITCH REQUIREMENTS

14-9 Projection

3'0" Drop

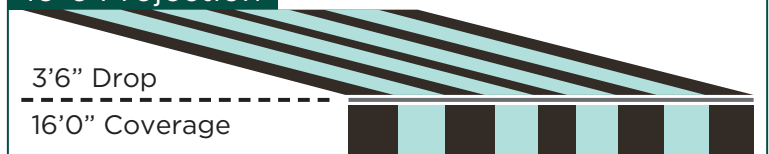
14'5" Coverage



16-6 Projection

3'6" Drop

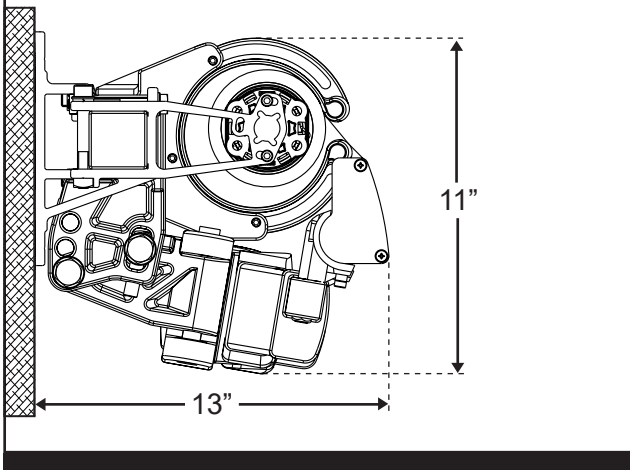
16'0" Coverage



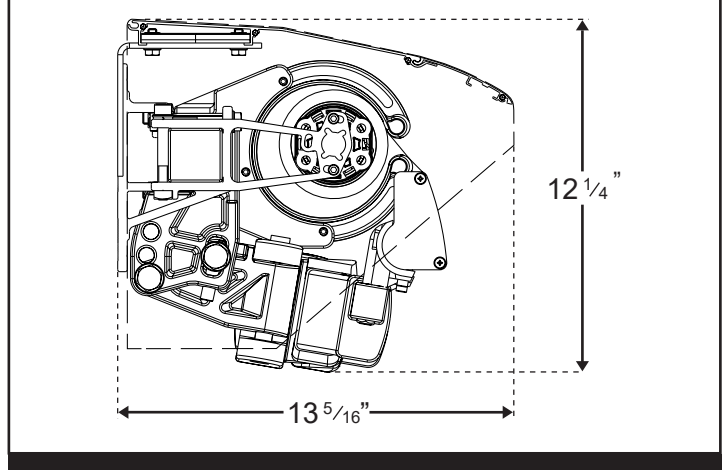
UNIT PROFILE VIEWS

SUMMIT

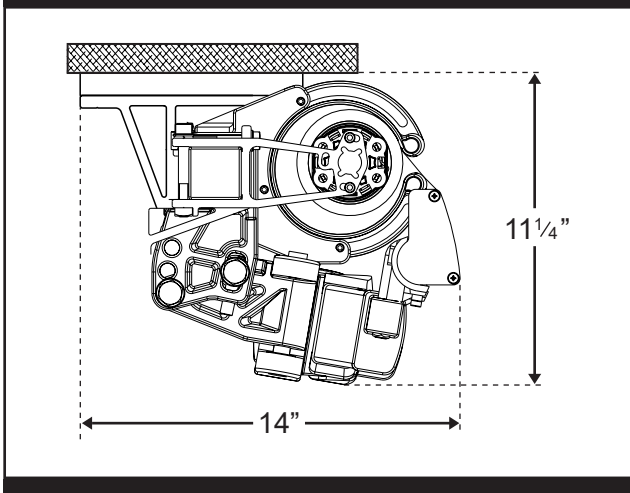
SUMMIT - Wall Mount (without hood)



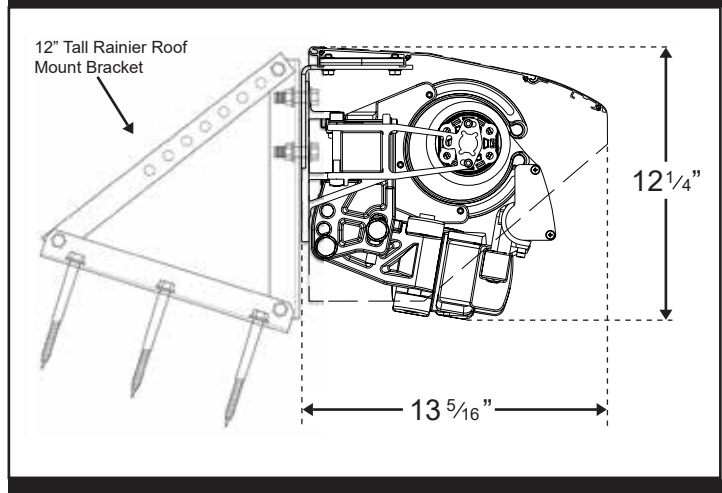
SUMMIT - Wall Mount (with hood)



SUMMIT - Soffit Mount
(no hood option available)

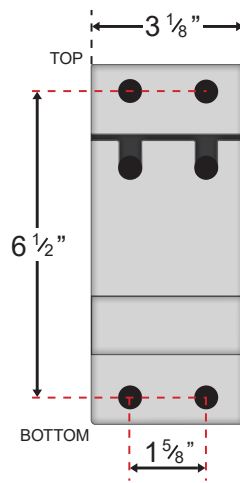


SUMMIT - Roof Mount
(with 12" roof brackets & hood)



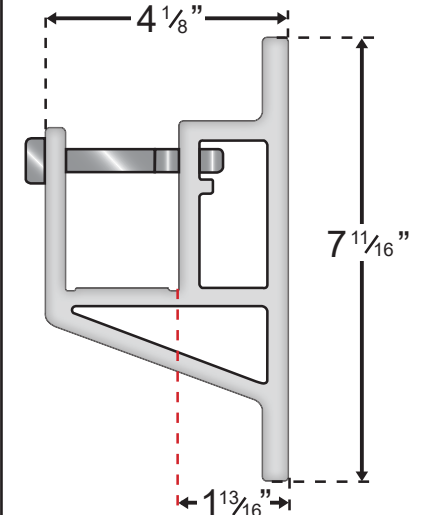
BRACKET DETAILS

Wall and Soffit Bracket - Front View



4 Holes =
1/2" x 1/2"

Wall and Soffit Bracket - Side View



50 x 50mm MOUNTING BRACKET

- All Sizes
- All Options
- Both projections

Due to the 1 5/8" bolt spacing, a header board is strongly recommended if attaching into the wall studs

INSTALLATION RESOURCES

Summit: 14-9 Projection

2 arms 3 arms 4 arms

Unit Width	Install Bracket Count	Hood Bracket Count	Center Support Count
up to 20'0"	4	4	N/A
20'0" 1/8 to 20'11"7/8	5	4	1
21'0" to 21'11"7/8	7	5	1
22'0" to 22'11"7/8	7	5	1
23'0" to 23'11"7/8	7	5	2
24'0" to 24'11"7/8	7	5	2
25'0" to 25'11"7/8	7	5	2
26'0" to 26'11"7/8	7	6	2
27'0" to 27'11"7/8	7	6	2
28'0" to 28'11"7/8	7	6	2
29'0" to 29'11"7/8	7	6	2
30'0" to 30'11"7/8	7	6	2
31'0" to 31'11"7/8	7	7	2
32'0" to 32'11"7/8	7	7	2
33'0" to 33'11"7/8	7	7	2
34'0" to 34'11"7/8	9	7	2
35'0" to 35'11"7/8	9	7	2
36'0" to 36'11"7/8	9	8	2
37'0" to 37'11"7/8	11	8	3
38'0" to 38'11"7/8	11	8	3
39'0" to 39'11"7/8	11	8	3
40'0"+	11	8	3

Product Notes:

First center support starts at 20-0 1/8
 Second center support starts at 22-0 1/8
 Third center support starts at 37-0 1/4

2 arms: 16'5 1/2" to 28'11 7/8"
 3 arms: 29'0" to 38'11 7/8"
 4 arms: 39'0" to 40'0"

Summit: 16-6 Projection

2 arms 3 arms 4 arms - NONE

Unit Width	Install Bracket Count	Hood Bracket Count	Center Support Count
up to 20'0"	4	4	N/A
20'0" 1/8 to 20'11"7/8	5	4	1
21'0" to 21'11"7/8	5	5	1
22'0" to 22'11"7/8	7	5	1
23'0" to 23'11"7/8	7	5	2
24'0" to 24'11"7/8	7	5	2
25'0" to 25'11"7/8	7	5	2
26'0" to 26'11"7/8	7	6	2
27'0" to 27'11"7/8	7	6	2
28'0" to 28'11"7/8	7	6	2
29'0" to 29'11"7/8	7	6	2
30'0" to 30'11"7/8	9	6	2
31'0" to 31'11"7/8	9	7	2
32'0" to 32'11"7/8	9	7	2
33'0" to 33'11"7/8	9	7	2
34'0" to 34'11"7/8	9	7	2
35'0" to 35'11"7/8	9	7	2
36'0" to 36'11"7/8	13	8	2
37'0" to 37'11"7/8	13	8	3
38'0" to 38'11"7/8	13	8	3
39'0" to 39'11"7/8	13	8	3
40'0"+	13	8	3

Product Notes:

First center support starts at 20-0 1/8
 Second center support starts at 22-0 1/8
 Third center support starts at 37-0 1/4

2 arms: 18'11 1/2" to 30'11 7/8"
 3 arms: 31'0" to 40'0"
 4 arms: N/A

SPECIAL FEATURES

1. OPEN ROLLER

Fully exposed rolled up fabric referred to as an "Open Roller", is typically used for soffit mounting or when overhead protection is provided just above the unit.



Open Roller

2. PROTECTIVE HOOD

A 14 1/4" deep protective hood is used for wall mounting when no overhead protection is present. The hood adds 1" to the overall unit length.



Protective Hood

3. ROOF MOUNT

When additional clearance is required, we recommend the protective hood in combination with our strong and sturdy 12' tall roof mount brackets.



Roof Mount