



The Rainier Pinnacle is a revolutionary outdoor roofing solution that combines style, functionality, and durability. Our innovative design allows you to easily control the amount of sunlight and shade that enters your outdoor space. Constructed of high strength aluminum and powder coated in a durable finish, your Pinnacle is built to last.

UNIT DETAILS

- ▼ Projections from 8' to 20' (Single unit)
- ▼ Widths up to 12' (Louvers)
- ▼ Heavy Duty Strength and Durable 6063 T-6 Aluminum
- ▼ Optional Center Beam, Contemporary or Traditional Cornice Trim
- ▼ Matte frame finish available in White, Statuary Bronze and Black. Louvers available in White, Stone, Statuary Bronze and Black
- ▼ Dual Walled Louvers for improved climate control and durability
- ▼ Motorized, with a full line of electronic enhancements
- ▼ Engineered for up to 60 lbs/sqft. snow load & up to 130 mph wind load

WARRANTY INFORMATION

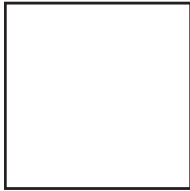
Frame: Lifetime

*To the original purchaser

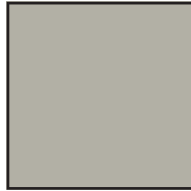
Motor/Electronics: Lifetime

HARDWARE COLOR OPTIONS

ALL MATTE FINISHES



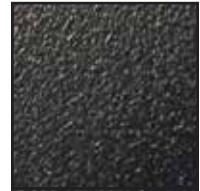
WHITE



STONE

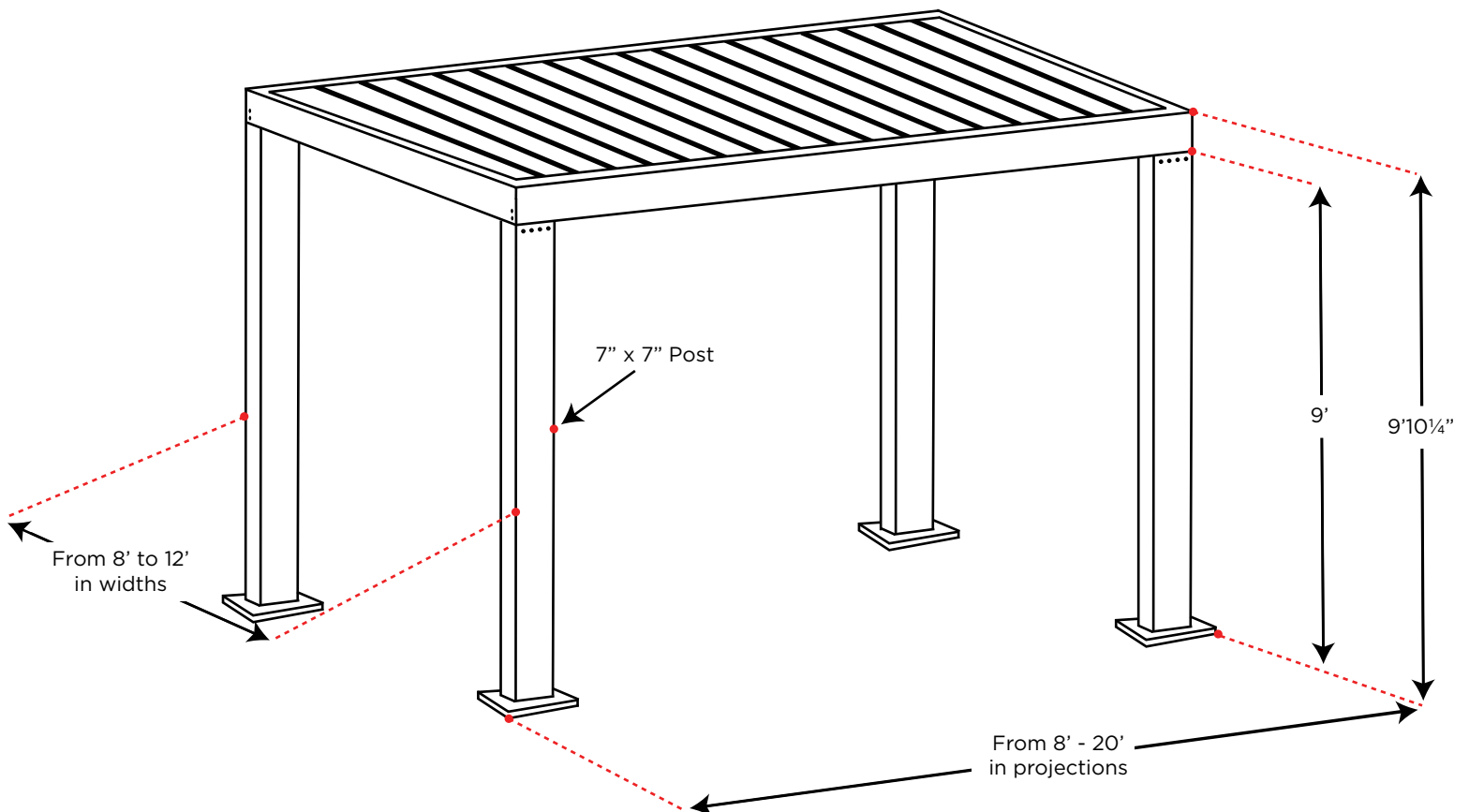


**STATUARY
BRONZE**



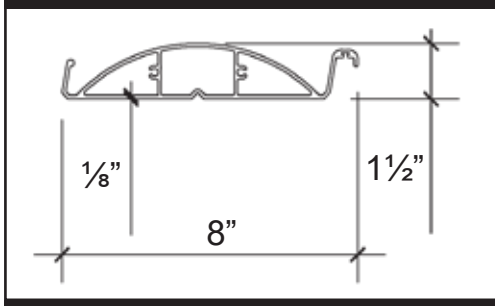
BLACK

UNIT EXPANDED VIEW

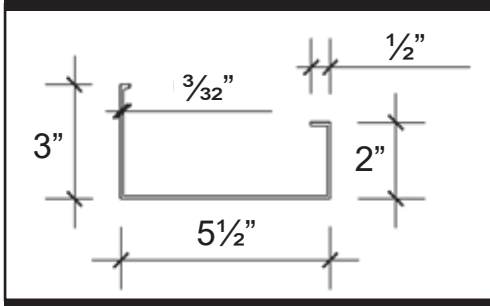


UNIT PROFILE VIEWS

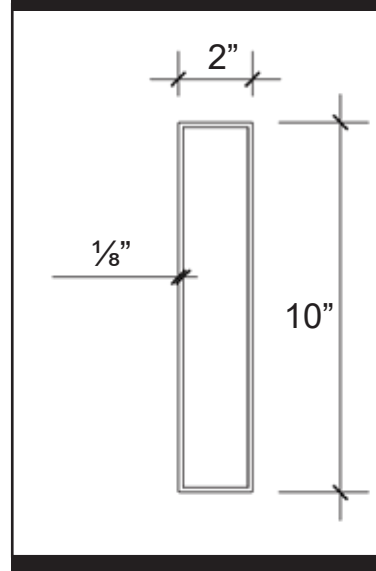
LOUVER PROFILE



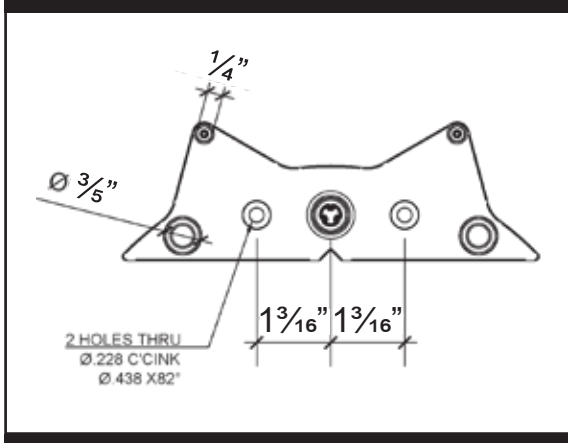
GUTTER PROFILE



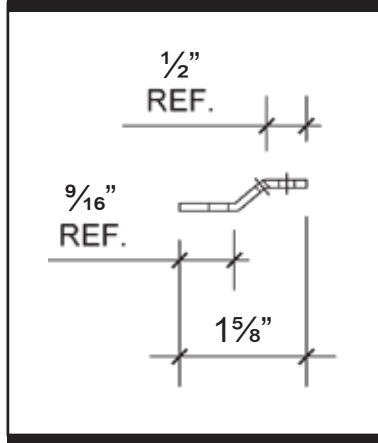
BEAM PROFILE



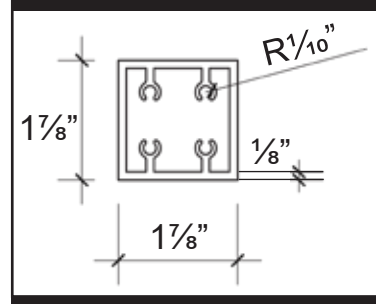
FIBERGLASS END CAP PROFILE



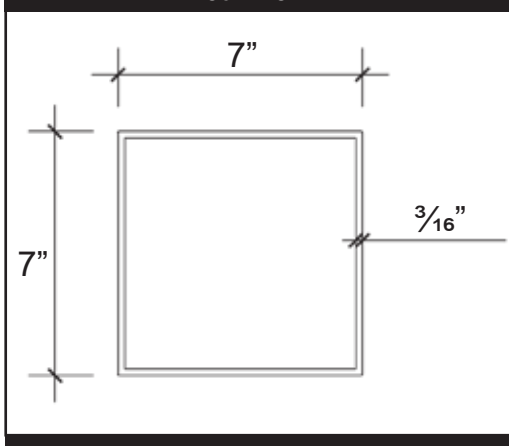
END CAP PIVOT STRIP PROFILE



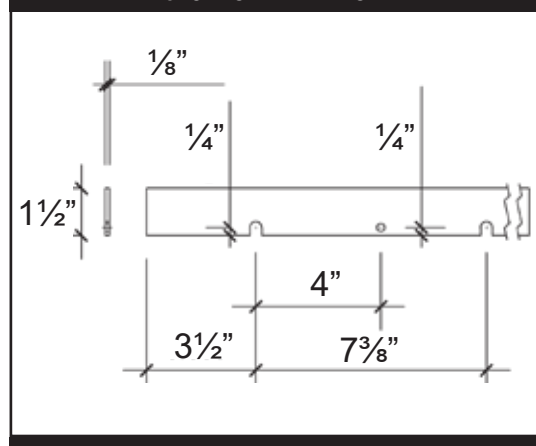
BEAM TO BEAM CONNECTOR EXTRUSION



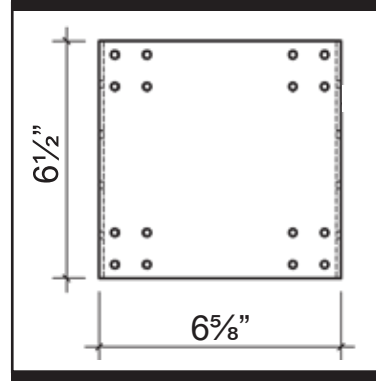
POST PROFILE



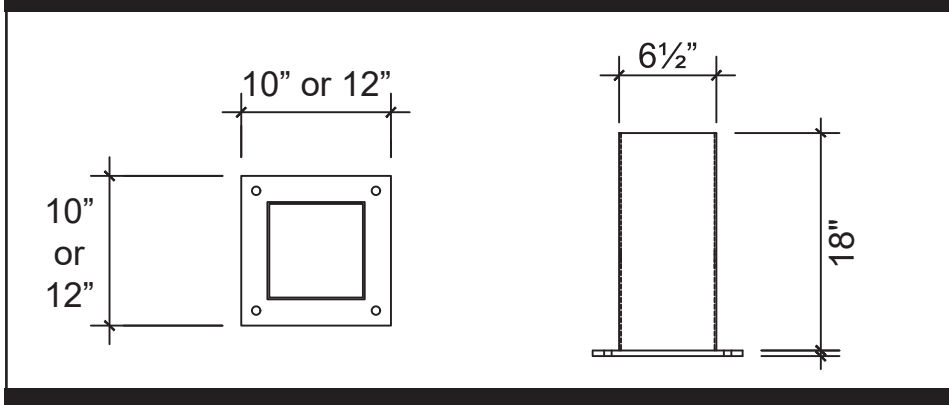
ACTUATOR PLATE PROFILE



CORNER BRACKET

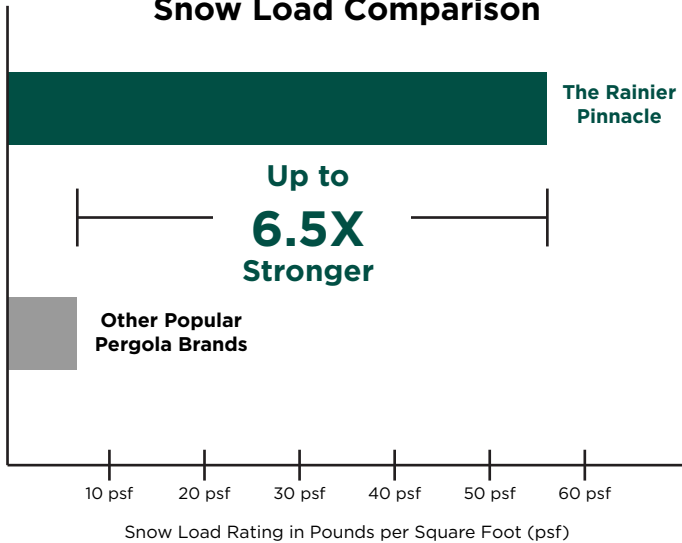


POST BASE

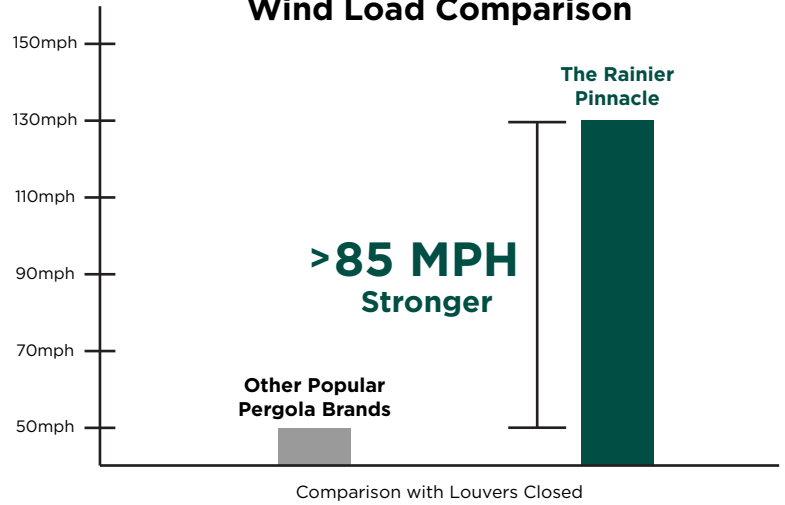


WIND & SNOW LOAD COMPARISON

The Rainier Pinnacle Snow Load Comparison



The Rainier Pinnacle Wind Load Comparison



SPECIAL FEATURES

Structural Options:



Cornice Options:

