



Series 5 Round Design Specifications

Detail Views

Application Data

- Interior/Exterior Use
- Maximum: 25' (W) x 20' (H)
- Low to High Wind Application
- Sun, Insect, Weather, or Privacy
- Window, Patio, and Garage
- Advertising Display

Fabrication Data

- Registered ISO 9000/9001
- Extruded Aluminum
- Nylon Components
- Powder Coat Finish
- 4-1/16" Aluminum Roller Tube
- Stainless Steel Fasteners

Standard Features

- Extruded Aluminum Components
- Side Track Retention System
- Built in Dual Screen Cleaning System
- Powder Coated Aluminum End Caps
- Somfy/RTS Motor Drive System

Optional Features

- Custom Color for All Metal Parts
- Recessed Side Tracks (Preconstruction)
- "L" Brackets for Inside Mounting
- Larger Tooth Zipper (#10)
- Custom Build Out

Electrical Data

- AC Motor Specifications: 120 VAC/60HZ
- 2.1 Amps
- 20 RPM
- Somfy Maestria Motor
- Home Automation Interface Available

Screen Options

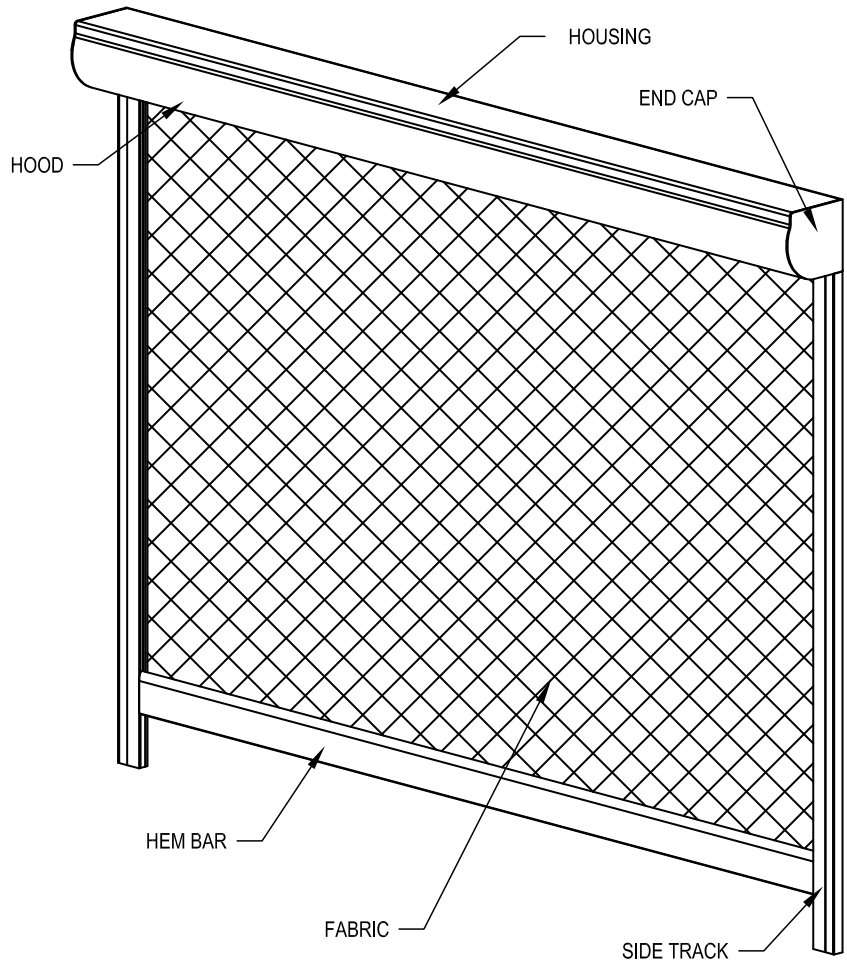
- Twitchell Super Insect and Solar Screen
- Phifer Bug and Solar Screen
- Serge Ferrari Soltis
- Blackout Fabrics
- Solution Dyed Acrylics
- Clear Window with Solid Fabrics

Optional Graphics

- Custom Prints
- 1 or 2 Sides - Mesh or Solid Fabric

Standard Hardware Colors

- Bright White ○ Sierra ○ Walnut
- Alpine ○ Onyx
- 13 Premium Colors & RAL Colors



PERSPECTIVE OF SERIES 5 SCREEN - ROUND

Special Note:

When measuring the screen for an outside flush/surface mount, remember to allow for side track (each side is 2 3/8") and remember to allow for the height of your housing plus the height of the hem bar is (1 7/8" plus brush size) so that nothing is in the opening. For inside mounting, always take the narrowest measurement and deduct 1/2" to allow for fastening heads and "L" mounting channel thickness (this would be total for both sides). Always use the longest measurement for calculating your drop.

Fabric seams will always run horizontally. They are placed as high as possible unless otherwise stated. Seam placement is from the bottom of the hem bar up to the seam.

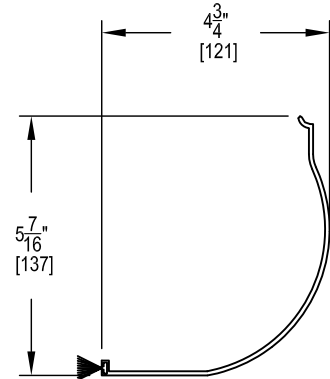
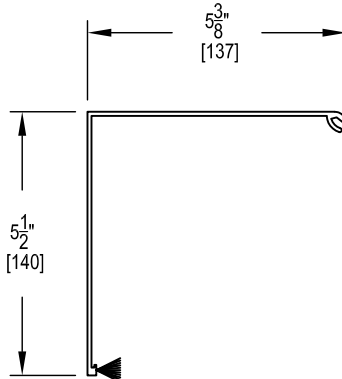
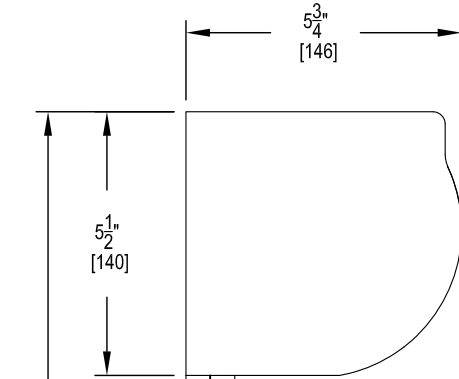
NOTICE: This drawing shall not be copied or used for any purpose other than that for which provided. The information disclosed herein originated from & is the proprietors of Rainier Shading, and except for rights expressly granted by written consent. Such information shall not be disclosed or disseminated whole or in part. Rainier Shading reserves all patent, proprietary, design, use, sale, manufacturing, and reproduction rights thereto.

DESIGNER IRM	DATE 2019-10-04	REV A
DRAWING TITLE: RAINIER SERIES 5 ROUND SPEC SHEET		
@2024 RAINIER SHADING		SCALE: 3"=1'-0"



Series 5 Round Design Specifications

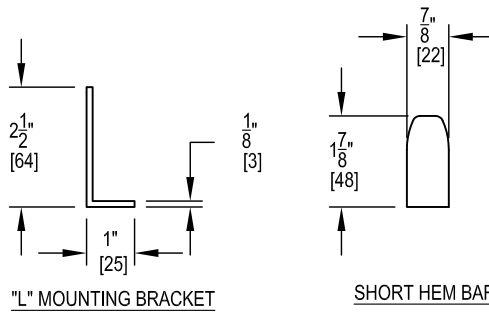
Detail Views



SERIES 5 HOUSING

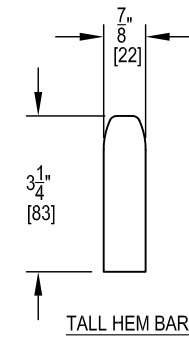
SERIES 5 HOOD - ROUND

20'-0"
MAXIMUM
DROP

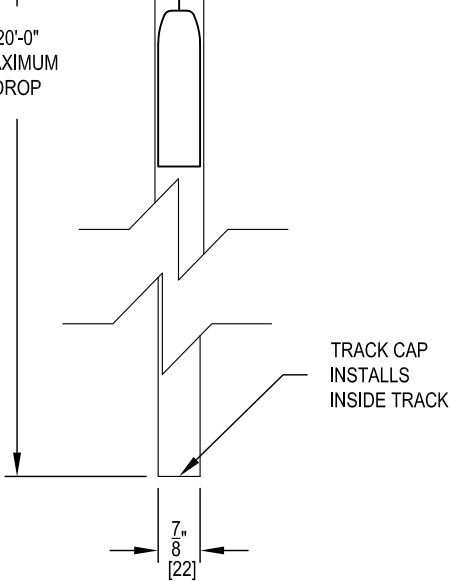


"L" MOUNTING BRACKET

SHORT HEM BAR

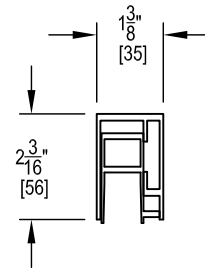


TALL HEM BAR

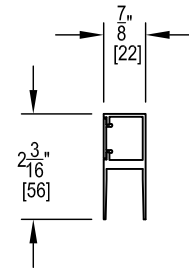


SERIES 5 SCREEN ASSEMBLY
LEFT SIDE VIEW

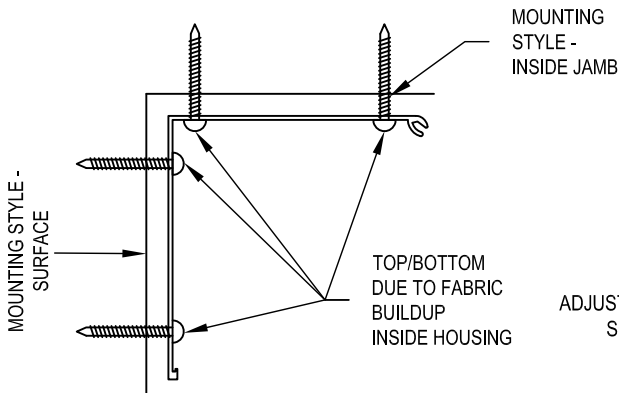
TRACK CAP
INSTALLS
INSIDE TRACK



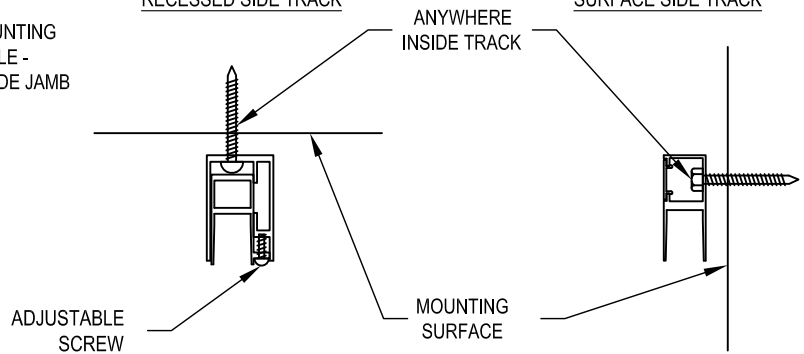
RECESSED SIDE TRACK



SURFACE SIDE TRACK



MOUNTING OPTIONS FOR HOUSING



MOUNTING OPTIONS FOR
RECESSED TRACK

MOUNTING OPTIONS FOR
SURFACE TRACK

NOTICE: This drawing shall not be copied or used for any purpose other than that for which provided. The information disclosed herein originated from & is the proprietors of Rainier Shading, and except for rights expressly granted by written consent. Such information shall not be disclosed or disseminated whole or in part. Rainier Shading reserves all patent, proprietary, design, use, sale, manufacturing, and reproduction rights thereto.

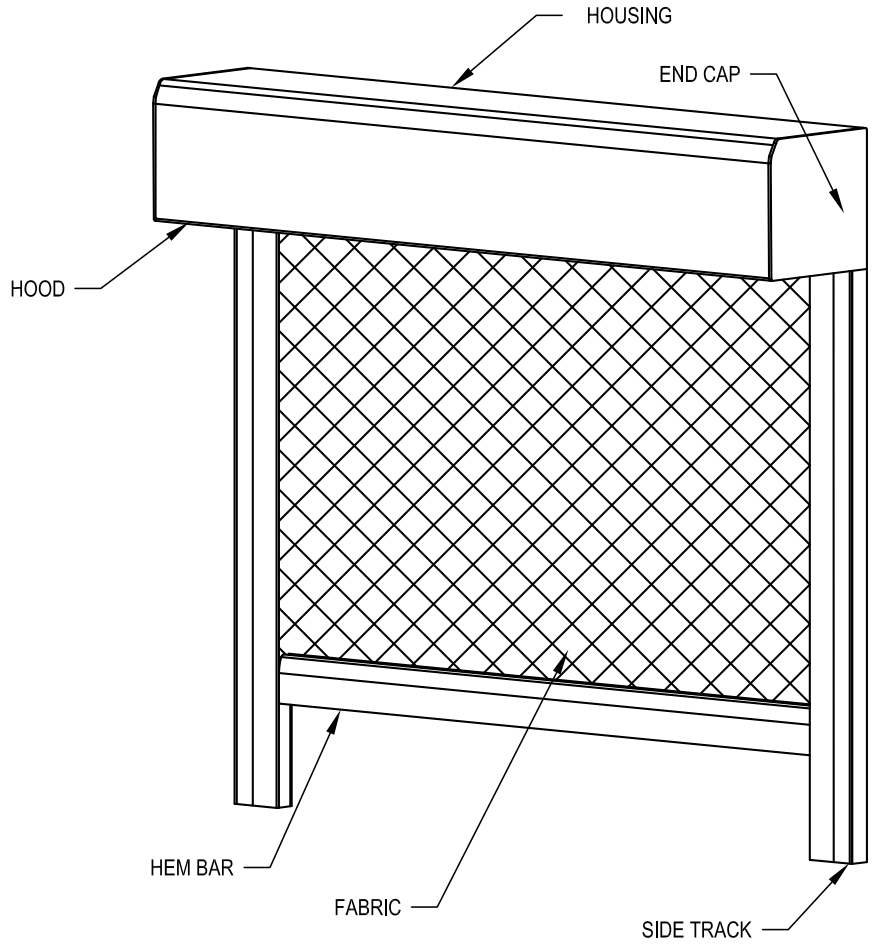
DESIGNER IRM	DATE 2019-10-04	REV A
DRAWING TITLE: RAINIER SERIES 5 ROUND DETAILS		
@2024 RAINIER SHADING		SCALE: 3"=1'-0"



Series 5 Square Design Specifications

Detail Views

Application Data
<ul style="list-style-type: none"> ○ Interior/Exterior Use ○ Maximum: 25' (W) x 20' (H) ○ Low to High Wind Application ○ Sun, Insect, Weather, or Privacy ○ Window, Patio, and Garage ○ Advertising Display
Fabrication Data
<ul style="list-style-type: none"> ○ Registered ISO 9000/9001 ○ Extruded Aluminum ○ Nylon Components ○ Powder Coat Finish ○ 4-1/16" Aluminum Roller Tube ○ Stainless Steel Fasteners
Standard Features
<ul style="list-style-type: none"> ○ Extruded Aluminum Components ○ Side Track Retention System ○ Built in Dual Screen Cleaning System ○ Powder Coated Aluminum End Caps ○ Somfy/RTS Motor Drive System
Optional Features
<ul style="list-style-type: none"> ○ Custom Color for All Metal Parts ○ Recessed Side Tracks (Preconstruction) ○ "L" Brackets for Inside Mounting ○ Larger Tooth Zipper (#10) ○ Custom Build Out
Electrical Data
<ul style="list-style-type: none"> ○ AC Motor Specifications: 120 VAC/60HZ ○ 2.1 Amps ○ 20 RPM ○ Somfy Maestria Motor ○ Home Automation Interface Available
Screen Options
<ul style="list-style-type: none"> ○ Twitchell Super Insect and Solar Screen ○ Phifer Bug and Solar Screen ○ Serge Ferrari Soltis ○ Blackout Fabrics ○ Solution Dyed Acrylics ○ Clear Window with Solid Fabrics
Optional Graphics
<ul style="list-style-type: none"> ○ Custom Prints ○ 1 or 2 Sides - Mesh or Solid Fabric
Standard Hardware Colors
<ul style="list-style-type: none"> ○ Bright White ○ Sierra ○ Walnut ○ Alpine ○ Onyx ○ 13 Premium Colors & RAL Colors



PERSPECTIVE OF SERIES 5 SCREEN - SQUARE

Special Note:

When measuring the screen for an outside flush/surface mount, remember to allow for side track (each side is 2 7/16") and remember to allow for the height of your housing plus the height of the hem bar is (1 7/8" plus brush size) so that nothing is in the opening. For inside mounting, always take the narrowest measurement and deduct 1/2" to allow for fastening heads and "L" mounting channel thickness (this would be total for both sides). Always use the longest measurement for calculating your drop.

Fabric seams will always run horizontally. They are placed as high as possible unless otherwise stated. Seam placement is from the bottom of the hem bar up to the seam.

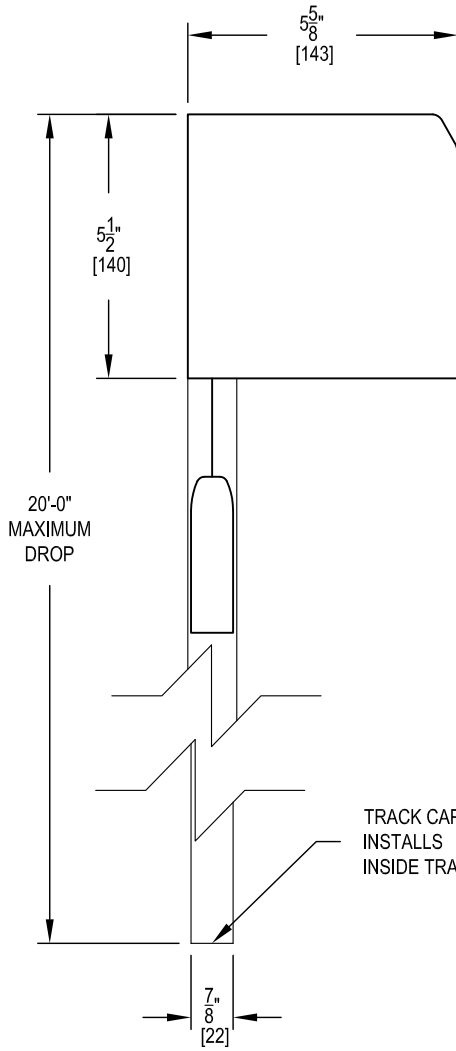
NOTICE: This drawing shall not be copied or used for any purpose other than that for which provided. The information disclosed herein originated from & is the proprietors of Rainier Shading, and except for rights expressly granted by written consent. Such information shall not be disclosed or disseminated whole or in part. Rainier Shading reserves all patent, proprietary, design, use, sale, manufacturing, and reproduction rights thereto.

DESIGNER IRM	DATE 2019-10-04	REV A
DRAWING TITLE: RAINIER SERIES 5 SQUARE SPEC SHEET		
@2024 RAINIER SHADING		SCALE: 3"=1'-0"

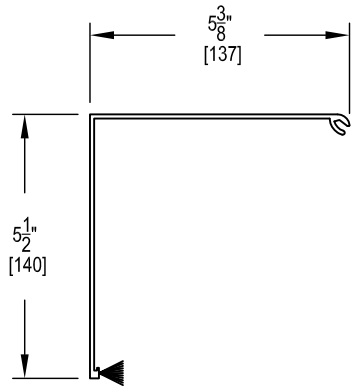


Series 5 Square Design Specifications

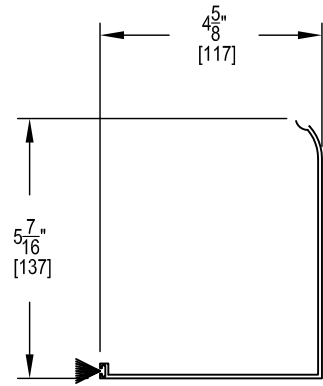
Detail Views



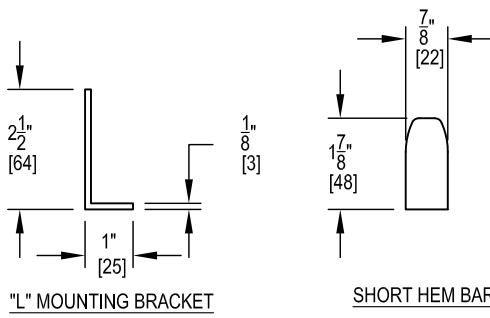
**SERIES 5 SCREEN ASSEMBLY
LEFT SIDE VIEW**



SERIES 5 HOUSING



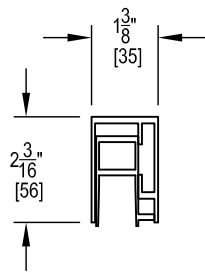
SERIES 5 HOOD - SQUARE



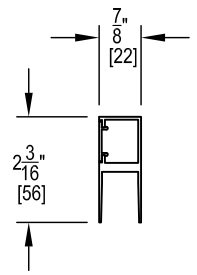
"L" MOUNTING BRACKET

SHORT HEM BAR

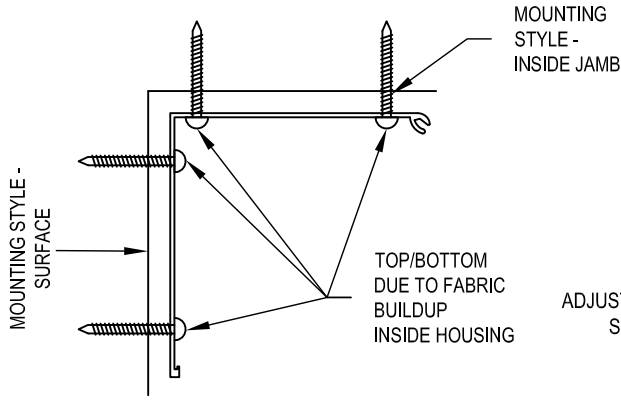
TALL HEM BAR



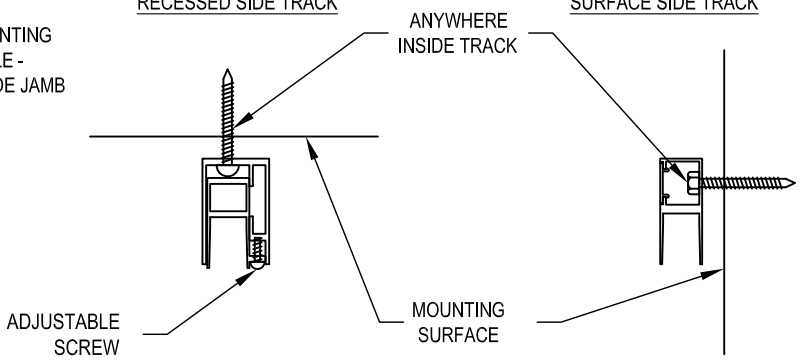
RECESSED SIDE TRACK



SURFACE SIDE TRACK



MOUNTING OPTIONS FOR HOUSING



**MOUNTING OPTIONS FOR
RECESSED TRACK**

**MOUNTING OPTIONS FOR
SURFACE TRACK**

NOTICE: This drawing shall not be copied or used for any purpose other than that for which provided. The information disclosed herein originated from & is the proprietors of Rainier Shading, and except for rights expressly granted by written consent. Such information shall not be disclosed or disseminated whole or in part. Rainier Shading reserves all patent, proprietary, design, use, sale, manufacturing, and reproduction rights thereto.

DESIGNER IRM	DATE 2019-10-04	REV A
DRAWING TITLE: RAINIER SERIES 5 SQUARE DETAILS		
©2024 RAINIER SHADING		SCALE: 3"=1'-0"