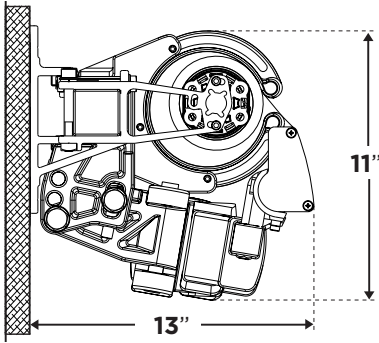
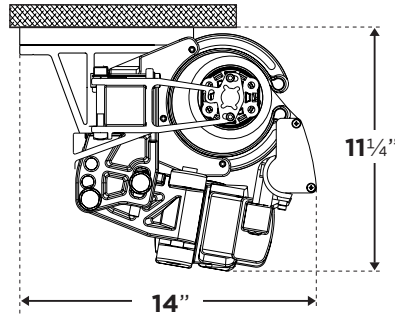


Summit Design Specifications

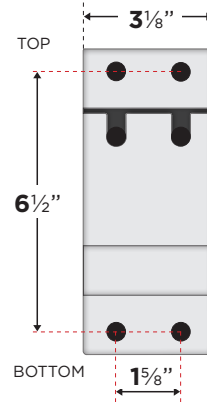
Summit - Wall Mount
(No Hood)



Summit - Soffit Mount
(No hood option available)

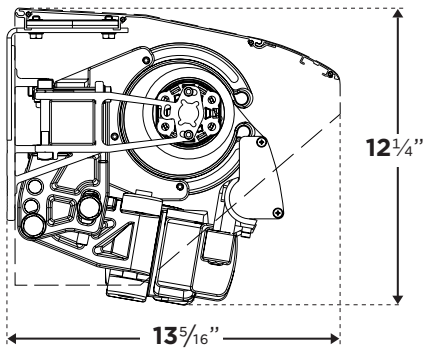


Wall and Soffit Bracket - Front View

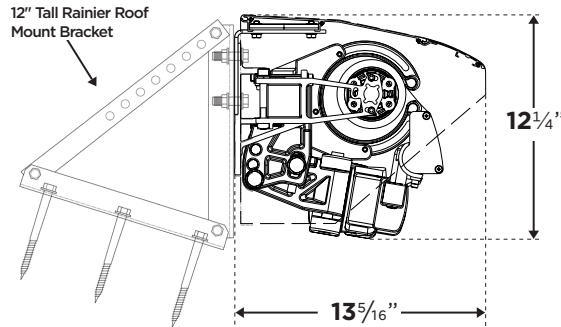


4 Holes =
1/2" x 1/2"

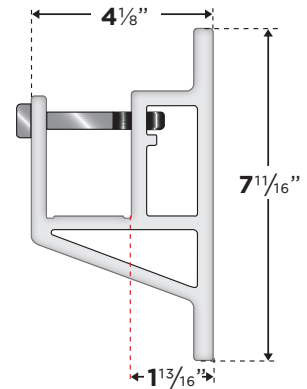
Summit - Wall Mount
(With Hood)



Summit - Roof Mount
(With 12" roof brackets & hood)



Wall and Soffit Bracket - Side View



Application Data

- Heavy duty/Commercial grade
- Widths from 17' to 40'
- Projections of 14'9" and 16'6"
- Miami-Dade certified NOA

Standard Feature

- Exposed 11 cable ART belt system
- Stainless hardware
- Plug-in motor with override
- 50mm torsion bar

Fabric Options

- 100% acrylic Sunbrella shade fabric, 150+ patterns & colors.

Standard Feature

- Lighting
- Aluminum torsion bar
- Aluminum protective hood
- Front drop shade

Electronic Options

- Wind sensor
- Sun sensor
- Rain sensor
- Wireless wall switches
- Multi channel transmitters
- App controlled connectivity

Hardware Color Options

- White (9016 gloss)
- Onyx (9005 textured black)
- Camel (Custom gloss)
- Spartan Bronze (Custom gloss)

Mounting Options

- Wall
- Soffit
- Roof

Fabrication Data

- Assembled in USA
- 78mm zinc-magnesium steel roller tube

