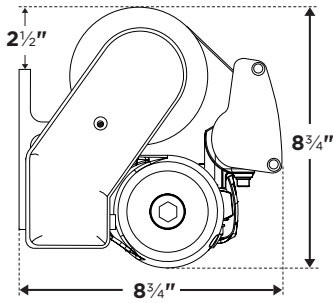
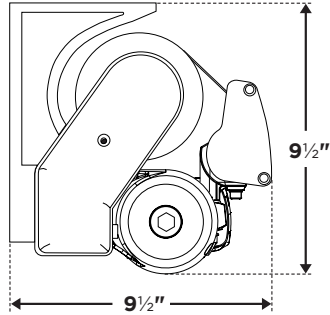


# The Rainier Design Specifications

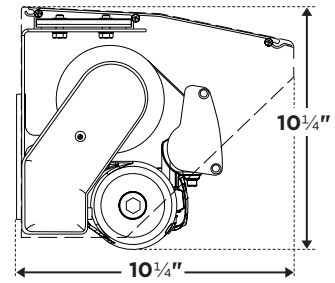
**The Rainier - Wall Mount  
(No Hood)**



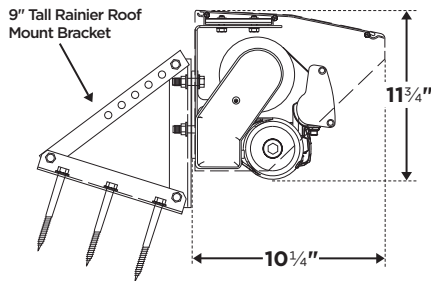
**The Rainier - Soffit Mount  
(No hood option available)**



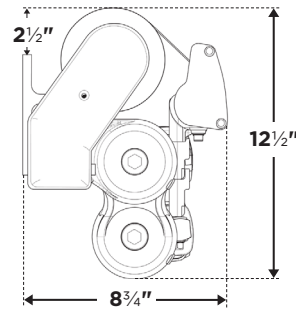
**The Rainier - Wall Mount  
(With Hood)**



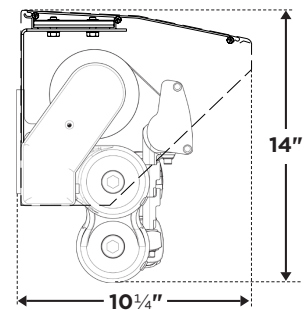
**The Rainier - Roof Mount  
(With 9" roof brackets & hood)**



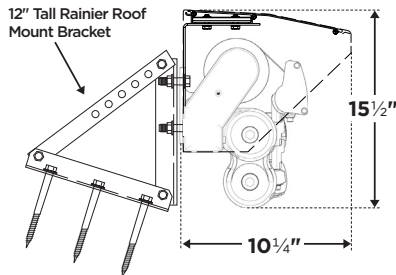
**The Rainier - Cross Arm  
Wall Mounted (No hood)**



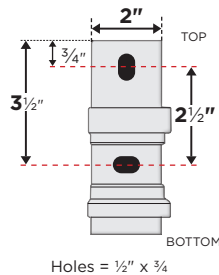
**The Rainier - Cross Arm  
Wall Mounted (With hood)**



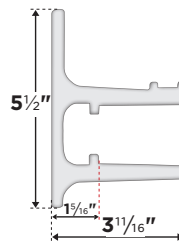
**The Rainier - Cross Arm  
Roof Mount (With 12" roof brackets & hood)**



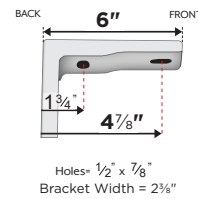
**Wall Bracket  
Front View**



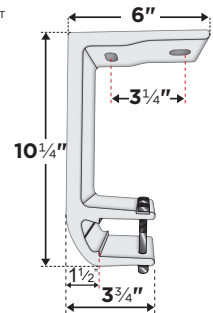
**Wall Bracket  
Side View**



**Soffit Bracket  
Top View**



**Soffit Bracket  
Side View**



**Application Data**

- Premium grade lateral arms
- Widths from 6' to 40'
- Projections range from 5'0" to 11'6"

**Electronic Options**

- Wind sensor
- Sun sensor
- Rain sensor
- Wireless wall switches
- Multi channel transmitters
- App controlled connectivity

**Standard Feature**

- 9 cable ART belt system
- Plug-in motor with override
- 40mm aluminum torsion bar

**Hardware Color Options**

- White (9016 gloss)
- Camel (Custom gloss)
- Spartan Bronze (Custom gloss)

**Fabric Options**

- 100% acrylic Sunbrella shade fabric, 150+ patterns & colors.

**Mounting Options**

- Wall
- Soffit
- Roof

**Optional Features**

- Lighting
- Cross arm
- Front drop shade

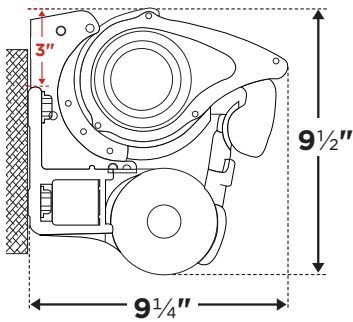
**Fabrication Data**

- Assembled in USA
- 70mm & 78mm zinc-magnesium steel roller tube

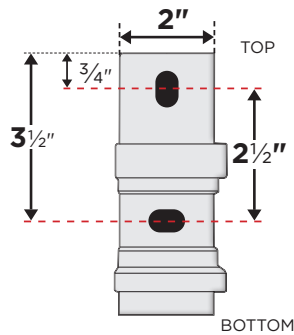


# The Rainier Semi Cassette Design Specifications

## The Rainier SC - Wall Mount

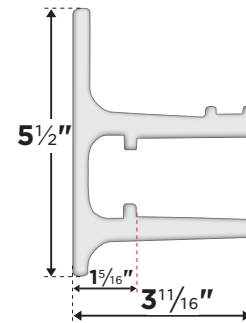


## Wall Bracket Front View

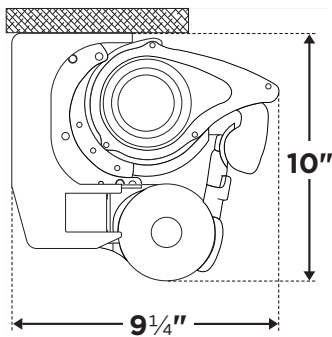


Holes = 1/2" x 3/4"

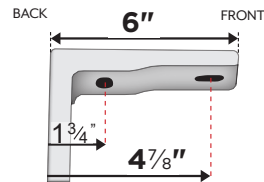
## Wall Bracket Side View



## The Rainier SC - Soffit Mount

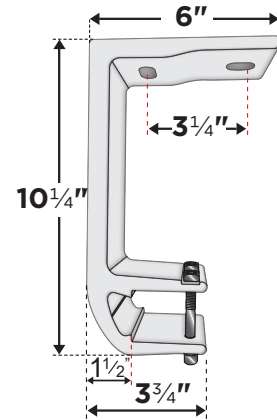


## Soffit Bracket Top View



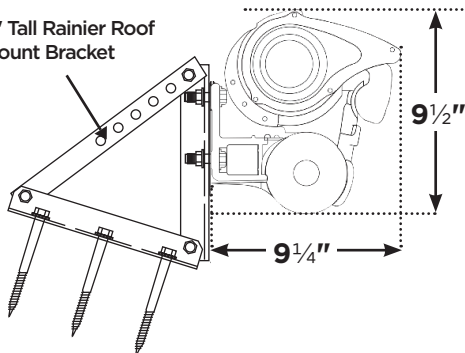
Holes = 1/2" x 7/8"  
Bracket Width = 2 3/8"

## Soffit Bracket Side View



## The Rainier SC - Soffit Mount

### 9" Tall Rainier Roof Mount Bracket



### Application Data

- Premium grade lateral arms
- Widths from 7' to 22'
- Projections range from 5'0" to 11'6"

### Electronic Options

- Wind sensor
- Sun sensor
- Rain sensor
- Wireless wall switches
- Multi channel transmitters
- App controlled connectivity

### Standard Feature

- 9 cable ART belt system
- Plug-in motor with override
- Powder coated aluminum housing

### Hardware Color Options

- White (9016 gloss)
- Camel (Custom gloss)
- Spartan Bronze (Custom gloss)

### Fabric Options

- 100% acrylic Sunbrella shade fabric, 150+ patterns & colors.

### Mounting Options

- Wall
- Soffit
- Roof

### Optional Features

- Lighting

### Fabrication Data

- Assembled in USA
- 70mm zinc-magnesium steel roller tube
- 40mm square aluminum torsion bar

