



# Series 5 Square Design Specifications

## Detail Views

### Application Data

- Interior/Exterior Use
- Maximum: 25' (W) x 20' (H)
- Low to High Wind Application
- Sun, Insect, Weather, or Privacy
- Window, Patio, and Garage
- Advertising Display

### Fabrication Data

- Registered ISO 9000/9001
- Extruded Aluminum
- Nylon Components
- Powder Coat Finish
- 4-1/16" Aluminum Roller Tube
- Stainless Steel Fasteners

### Standard Features

- Extruded Aluminum Components
- Side Track Retention System
- Built in Dual Screen Cleaning System
- Powder Coated Aluminum End Caps
- Somfy/RTS Motor Drive System

### Optional Features

- Custom Color for All Metal Parts
- Recessed Side Tracks (Preconstruction)
- "L" Brackets for Inside Mounting
- Larger Tooth Zipper (#10)
- Custom Build Out

### Electrical Data

- AC Motor Specifications: 120 VAC/60HZ
- 2.1 Amps
- 20 RPM
- Somfy Maestria Motor
- Home Automation Interface Available

### Screen Options

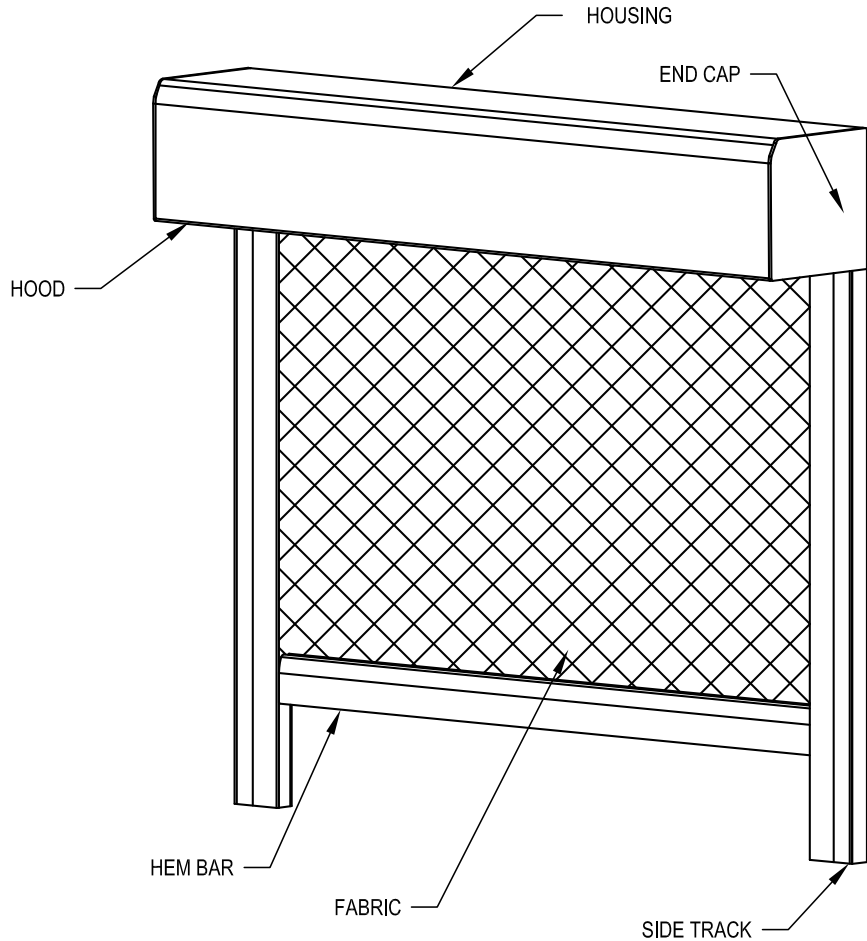
- Twitchell Super Insect and Solar Screen
- Phifer Bug and Solar Screen
- Serge Ferrari Soltis
- Blackout Fabrics
- Solution Dyed Acrylics
- Clear Window with Solid Fabrics

### Optional Graphics

- Custom Prints
- 1 or 2 Sides - Mesh or Solid Fabric

### Standard Hardware Colors

- Bright White    ○ Sierra    ○ Walnut
- Alpine            ○ Onyx
- 13 Premium Colors & RAL Colors



PERSPECTIVE OF SERIES 5 SCREEN - SQUARE

### Special Note:

When measuring the screen for an outside flush/surface mount, remember to allow for side track (each side is 2 7/16") and remember to allow for the height of your housing plus the height of the hem bar is (1 7/8" plus brush size) so that nothing is in the opening. For inside mounting, always take the narrowest measurement and deduct 1/2" to allow for fastening heads and "L" mounting channel thickness (this would be total for both sides). Always use the longest measurement for calculating your drop.

Fabric seams will always run horizontally. They are placed as high as possible unless otherwise stated. Seam placement is from the bottom of the hem bar up to the seam.

NOTICE: This drawing shall not be copied or used for any purpose other than that for which provided. The information disclosed herein originated from & is the proprietors of Rainier Shading, and except for rights expressly granted by written consent. Such information shall not be disclosed or disseminated whole or in part. Rainier Shading reserves all patent, proprietary, design, use, sale, manufacturing, and reproduction rights thereto.

DESIGNER IRM	DATE 2019-10-04	REV A
DRAWING TITLE: RAINIER SERIES 5 SQUARE SPEC SHEET		
@2024 RAINIER SHADING		SCALE: 3"=1'-0"