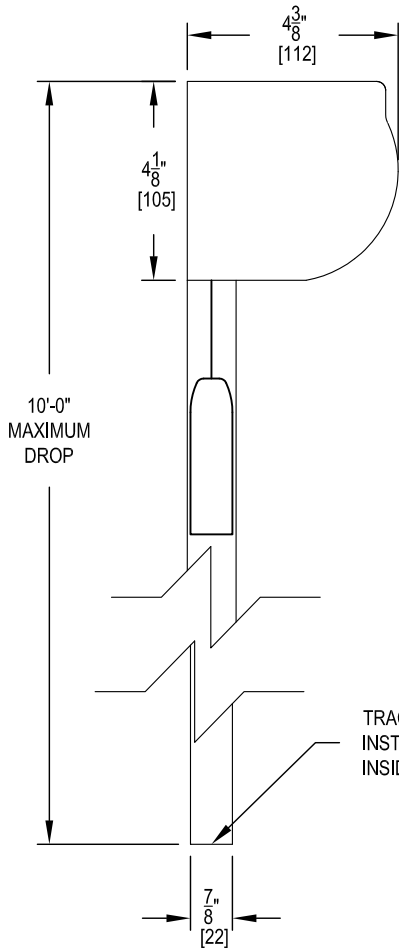




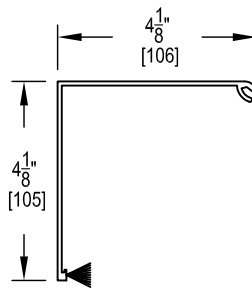
Series 4 Round Design Specifications

Detail Views

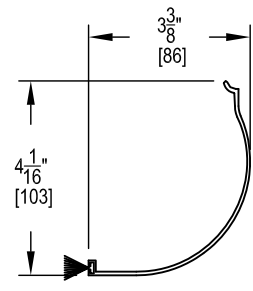


SERIES 4 SCREEN ASSEMBLY
LEFT SIDE VIEW

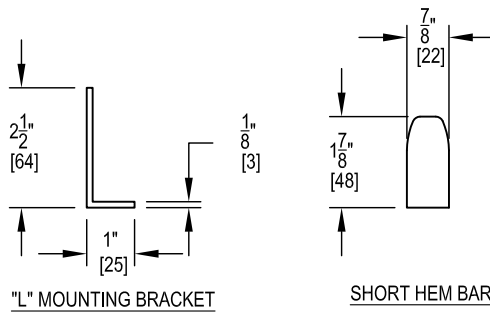
TRACK CAP
INSTALLS
INSIDE TRACK



SERIES 4 HOUSING

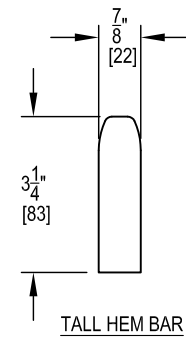


SERIES 4 HOOD - ROUND

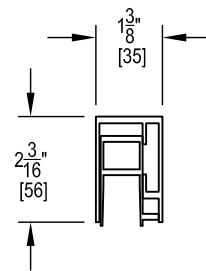


"L" MOUNTING BRACKET

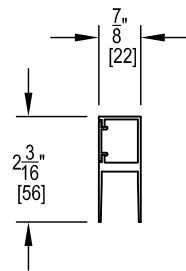
SHORT HEM BAR



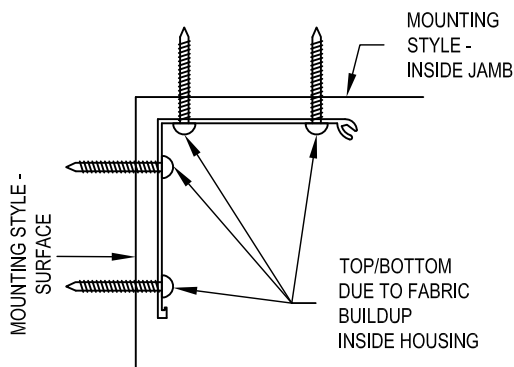
TALL HEM BAR



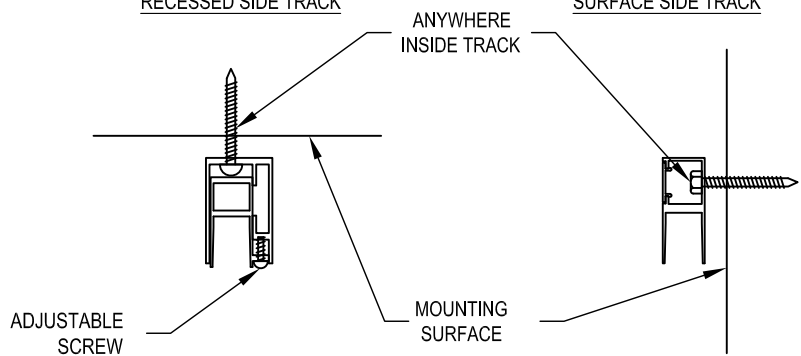
RECESSED SIDE TRACK



SURFACE SIDE TRACK



MOUNTING OPTIONS FOR HOUSING



MOUNTING OPTIONS FOR
RECESSED TRACK

MOUNTING OPTIONS FOR
SURFACE TRACK

NOTICE: This drawing shall not be copied or used for any purpose other than that for which provided. The information disclosed herein originated from & is the proprietors of Rainier Shading, and except for rights expressly granted by written consent. Such information shall not be disclosed or disseminated whole or in part. Rainier Shading reserves all patent, proprietary, design, use, sale, manufacturing, and reproduction rights thereto.

DESIGNER IRM	DATE 2019-10-04	REV A
DRAWING TITLE: RAINIER SERIES 4 ROUND DETAILS		
@2024 RAINIER SHADING		SCALE: 3"=1'-0"