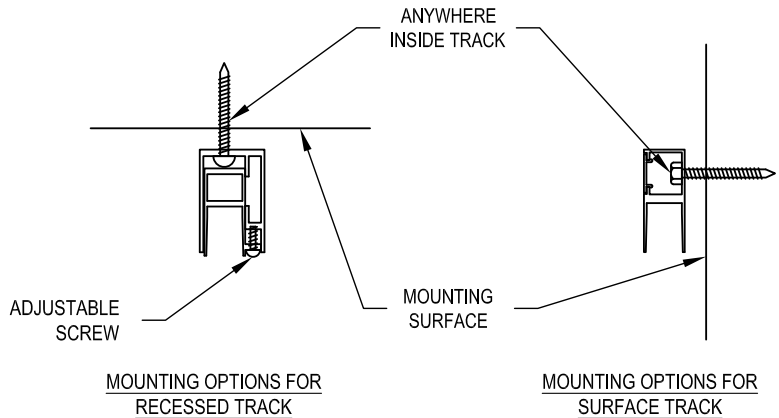
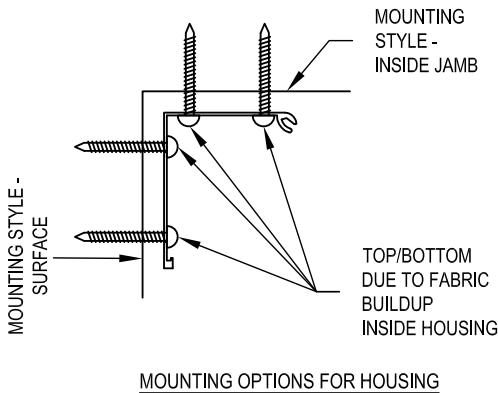
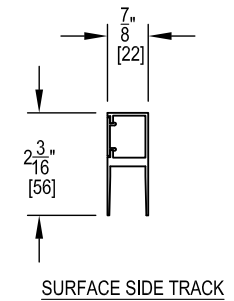
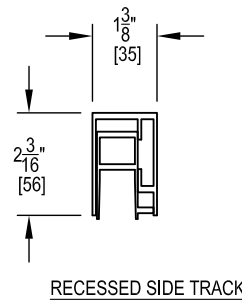
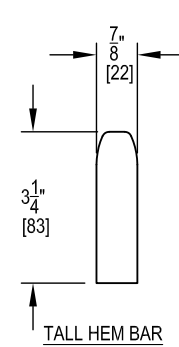
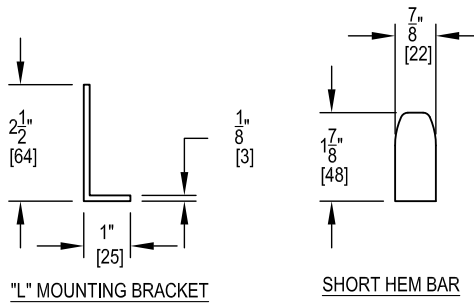
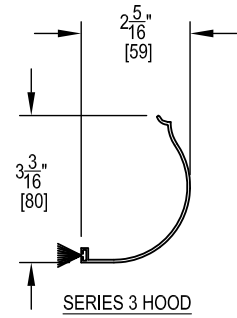
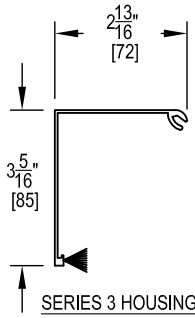
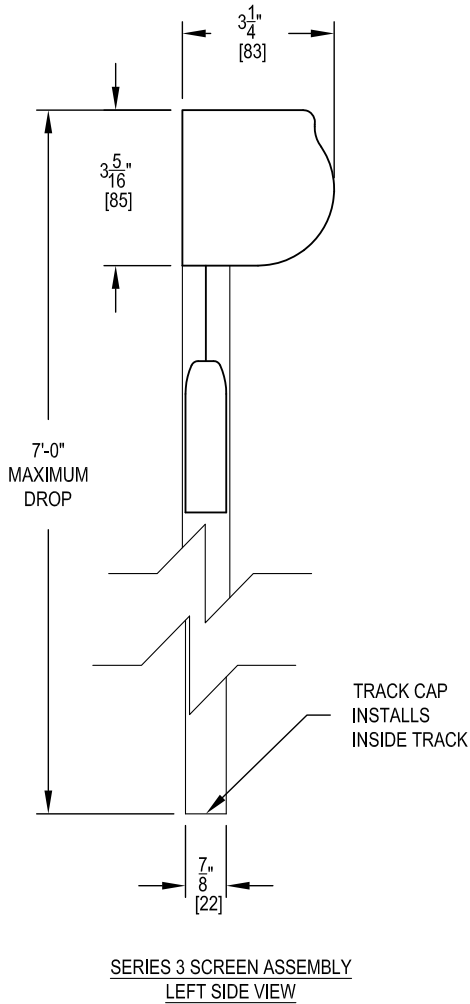




# Series 3 Round Design Specifications

## Detail Views



NOTICE: This drawing shall not be copied or used for any purpose other than that for which provided. The information disclosed herein originated from & is the proprietors of Rainier Shading, and except for rights expressly granted by written consent. Such information shall not be disclosed or disseminated whole or in part. Rainier Shading reserves all patent, proprietary, design, use, sale, manufacturing, and reproduction rights thereto.

DESIGNER <b>IRM</b>	DATE <b>2017-07-09</b>	REV <b>A</b>
DRAWING TITLE: <b>RAINIER SERIES 3 DETAILS</b>		
©2024 RAINIER SHADING		SCALE: <b>3"=1'-0"</b>