

# Series 4 Cable Design Specifications

## Detail Views

### Application Data

- Interior/Exterior Use
- Maximum: 14' (W) x 10' (H) (some fabrics)
- Low Wind Application
- Solar Protection, Weather or Privacy
- Window, Patio and Balcony
- Advertising Display

### Fabrication Data

- Registered ISO 9000/9001
- Extruded Aluminum
- Nylon Components
- Powder Coat Finish
- 3" Roller Tube
- Stainless Steel Fasteners

### Standard Features

- Extruded Aluminum Components
- Stainless Steel Cable Retaining System
- Built in Dual Screen Cleaning System
- Powder Coated Aluminum End Caps
- Motorized
- Floor or Wall Tension Device
- Proprietary I Tube™ Roller Tube

### Optional Features

- Manual Gear Hand Crank
- Motorized Electronics
- Custom Colors For All Metal Parts

### Electrical Data

- AC Motor Specifications: 120 VAC/60HZ
- 1.6 Amps
- 20 RPM
- Somfy Maestria RTS Motor
- Home Automation Interface Available

### Screen Options

- Twitchell Solar Screen
- Phifer Solar Screen
- Serge Ferrari Soltis
- Acrylic

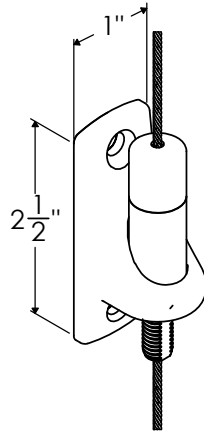
### Optional Graphics

- Custom Prints
- 1 or 2 Sides - Mesh or Solid Fabric

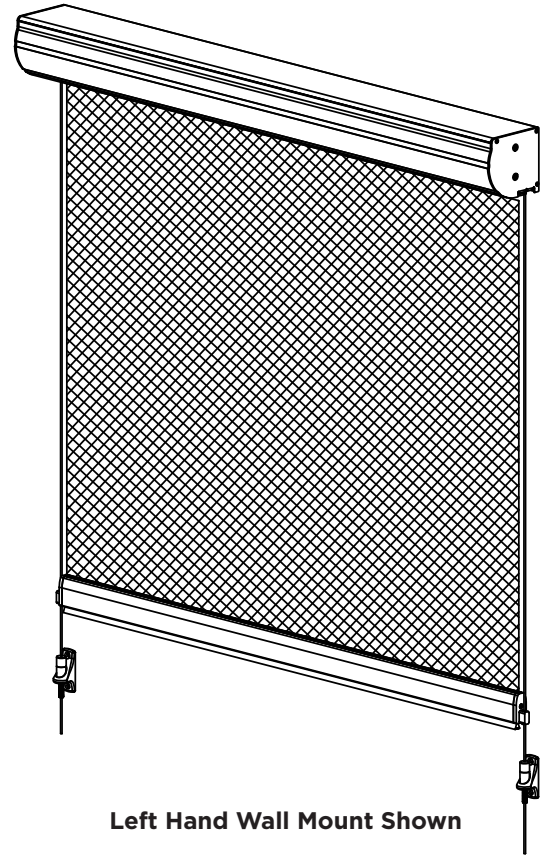
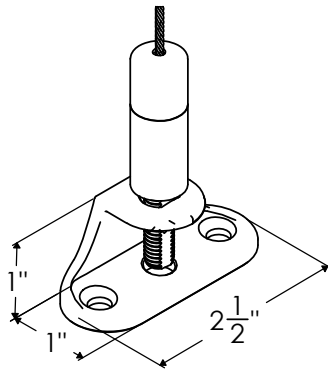
### Standard Hardware Colors

- Bright White
- Alpine
- Sierra
- Onyx
- Walnut
- 13 Premium Colors & RAL Colors

### Wall Mount Bracket

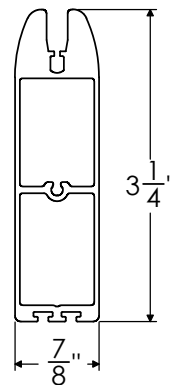


### Floor Mount Bracket

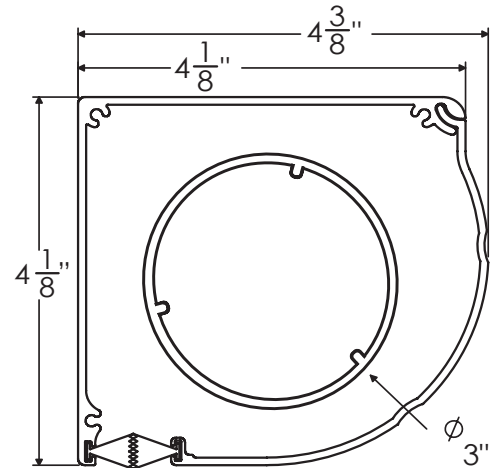
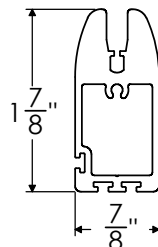


Left Hand Wall Mount Shown

### Tall Hem Bar



### Short Hem Bar



Cable Series 4 Housing

### Special Notes:

This product is designed for low wind applications only. It must be retracted when the wind force begins to raise the screen on the cable retentions, otherwise damage could occur. Fabric seams will always run horizontally. The standard is to place them "AS HIGH AS POSSIBLE" and this will be done unless otherwise specified. The alternative option is to state "AS LOW AS POSSIBLE". Custom placement of seams is available for a fee, which is listed on the price sheet. Seam placement is from the bottom of the hem bar up to the seam.