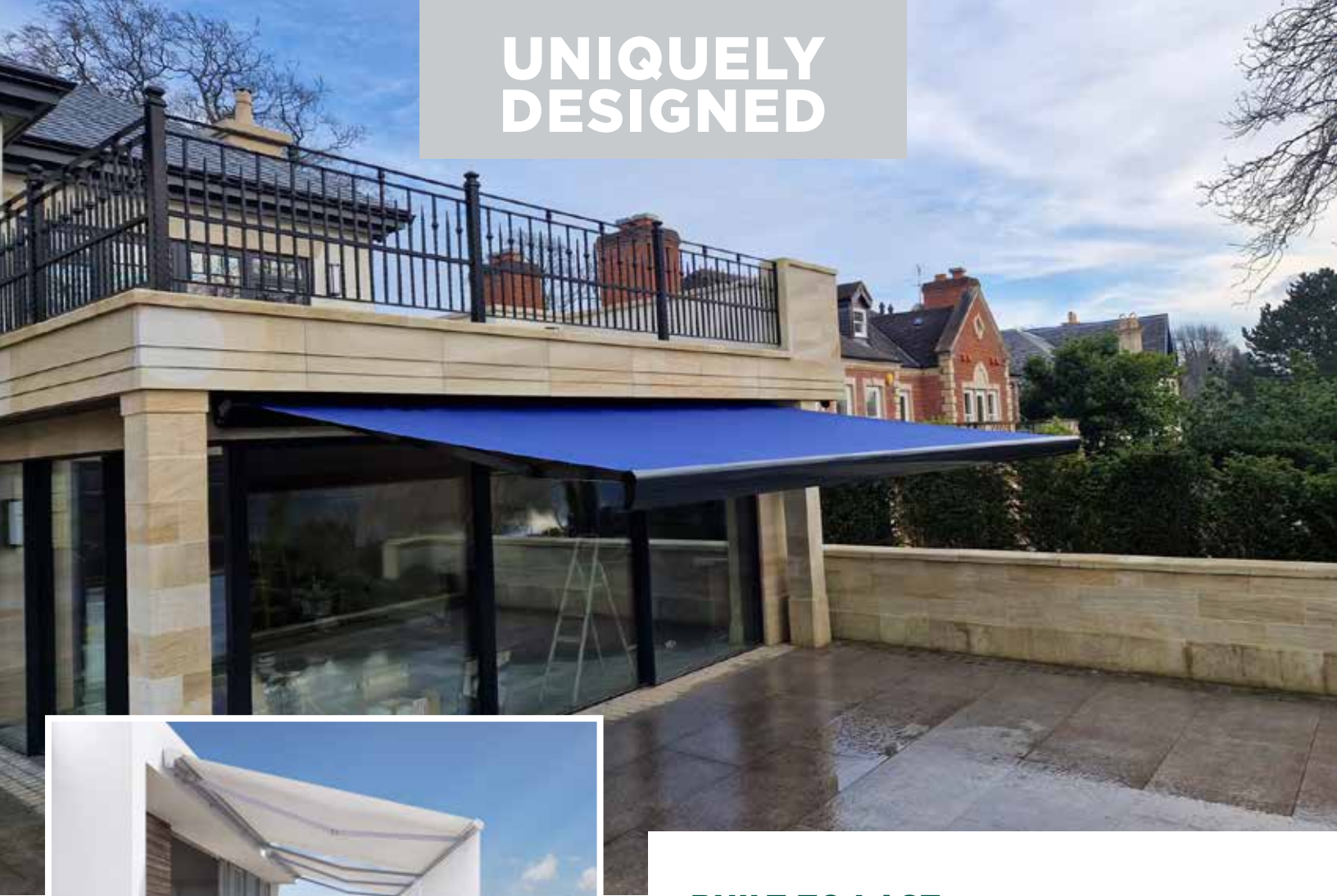


# RAINIER | REGAL

RETRACTABLE SHADING SYSTEMS



# UNIQUELY DESIGNED



## BUILT TO LAST, PROFESSIONALLY INSTALLED

Every Rainier shading system is custom made and professionally installed by our independent dealers to meet your individual requirements. The Regal unit can be ordered up to 23' in width & up to 13'0" in projection. Rainier components meet stringent ISO 9001 and TUV standards and are assembled in the USA by skilled craftspeople.



*Exposed cables - Older technology, less durable*

*ART Arm tensioning system provides strength, quality and durability*



## ADVANCED RIBBON TECHNOLOGY ARMS

While most competitive brands have exposed cables or chains, the Regal A.R.T. arm consists of 11 individually wound cables encased in a poly carbon, UV resistant PVC coating which is hidden inside the arm. The arm also features sealed bearings at the elbow, unique to the industry for smooth operation. The arm's tension system is tested to 3,300 pounds of resistance and the complete arm to 72,000 cycles which guarantees you a long, worry-free life backed by a lifetime warranty to you.

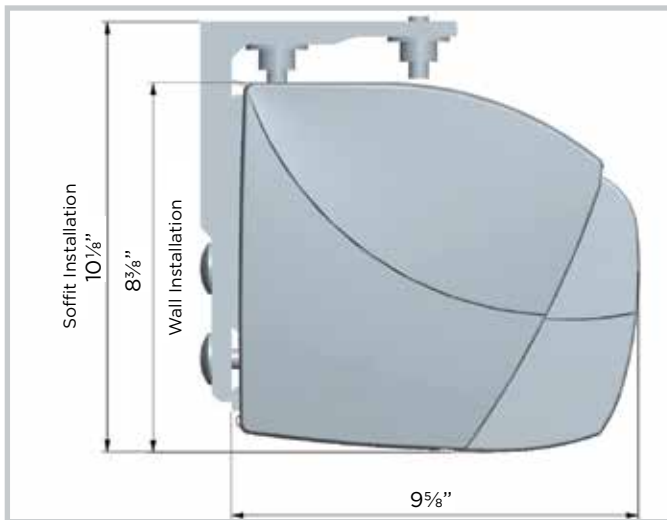
# TO MEET YOUR NEEDS



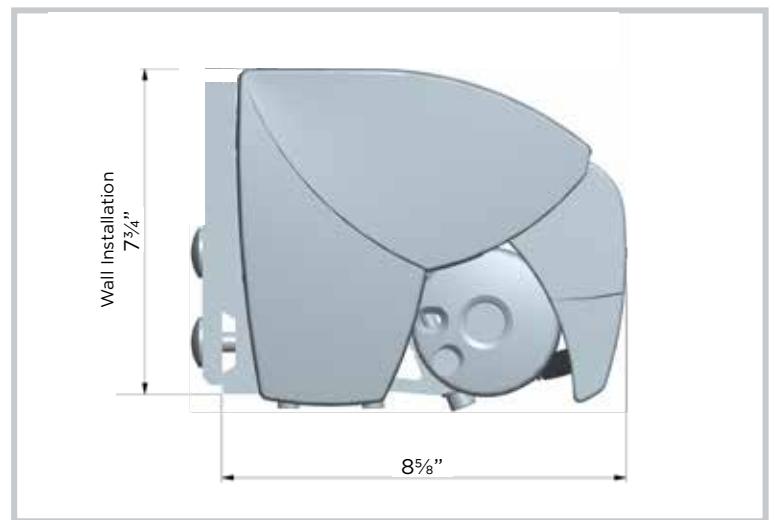
## MOTORIZED FOR EASY USE

Your Regal features a UL listed motor from Somfy, the world leader in home automation. You can operate your shading system with a wireless wall switch, a hand held remote, a smart device...or from all of these! To increase the usefulness & effectiveness of your shading system, plus add a level of protection, Rainier also offers sun sensors and motion sensors.

## UNIT PROFILES



**Full Cassette (Soffit Mount)**



**Semi Cassette (Wall Mount)**

# PRODUCT OPTIONS



## DROP SHADE

Add even more solar protection while increasing your privacy with the Rainier Drop Shade. This option features a mesh sun screen fabric that extends down from the front bar over the width of the awning. The Drop Shade is self storing and motorized. This option is available in projections up to 11'6".



## LIGHTING OPTIONS

Add a unique element to your evening entertaining with several lighting options. Lunar Lighting (shown) is typically applied to the back of the front bar and offers a soft warm glow light which can be turned on or off with the same multi-channel remote/transmitter as your awning. An LED lighting option is available with light strips applied to the arms of the awning (dealer installed). This UL-listed LED light kit offers 16 levels of light in either warm (3000K) or cool (6000K) lighting and like lunar lighting, can be controlled with the same multi-channel remote/transmitter or multi-channel wireless wall switch. Research suggests that warm lights attract less bugs.



## ELECTRONIC ACCESSORIES

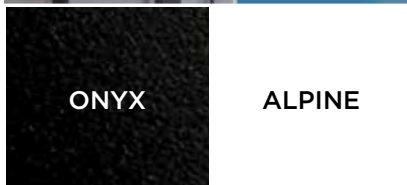
Our world class wireless components make operating your shading system effortless.

- **Wind/Motion Sensor:** This accelerometer sensor attached to the awning's framework will retract the unit if it gets too windy - adding a level of safety and security.
- **Sun Sensor:** This sensor, typically mounted to an exterior wall, will automatically extend the awning once the preset sun level is attained, and will automatically retract your shading system once sun level is below preset settings.
- **TaHoma:** With a TaHoma®, create scenarios to link your connected devices and activate them with just a click on your smartphone!



## FULL CASSETTE HOUSING

Protect your entire unit from the elements all year long with the added protection of the full cassette option. The full cassette, like the standard semi cassette housing, is all aluminum and powder coated to match the other components of the unit. This option offers a cleaner look when fully retracted and is available up to 23' wide.



## HARDWARE TO MATCH YOUR DÉCOR

Rainier offers two architecturally pleasing colors to either match or accentuate your home. Our pretreated powder coated finishes are second to none in durability and appearance.



## SUNBRELLA SHADE FABRICS - FROM SERENE TO STUNNING

Rainier offers a wide array of long lasting, fade resistant, 100% acrylic fabrics from Sunbrella. The Sunbrella Shade fabrics are specifically made for heavy duty applications such as retractable awnings. Each fabric cover is computer cut, has ultrasonically sealed edges, and is sewn with Tenera thread to provide a full 10 year warranty on the fabric and the seams. Make a bold statement or blend your awning harmoniously to your home's décor... whatever your choice, we have the fabric for you.



## DIAMOND & EMERALD PROTECTION - TWO LEVELS OF SECURITY

Looking for an extended warranty on your complete shading system - from frame to fabric, motor and electronics? Then you will love the benefits of our two levels of security. Ask your dealer for complete details on the Diamond and Emerald Protection plans available.

# COVER MORE AT A TOUCH OF A BUTTON



## COMMERCIAL GRADE SHADING SYSTEM

The Regal is our latest European inspired shading system. With its sleek design for a clean visual when closed, the Regal offers what today's discerning homeowners are looking for - function & form. From a very compact space, your custom made, on-demand shading system can span 23' feet wide and project up to 13' when extended.

## SELF STORING WHEN NOT IN USE

The beauty of today's Rainier retractable awnings is their self-storing nature. With a simple press of a button or a command on your smart phone, the shading system fully retracts, stops automatically, and self stores in the semi or full cassette housing.

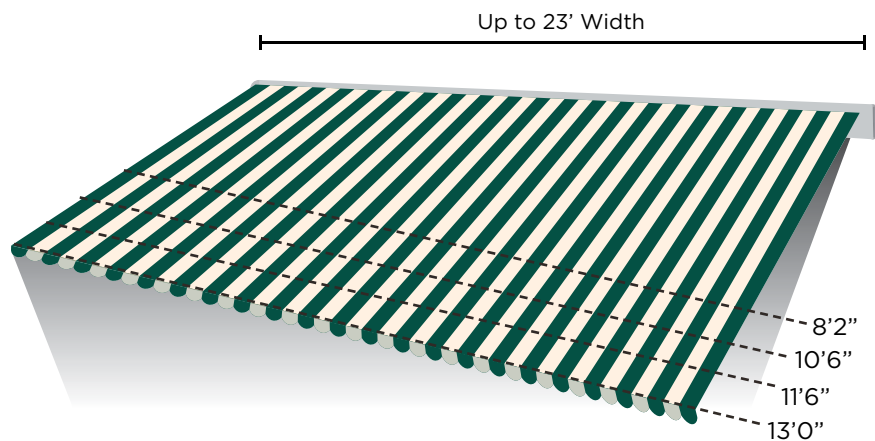


**FULL CASSETTE**



**SEMI CASSETTE**

## PRODUCT FEATURES:



### SIZES AVAILABLE

The Regal shading system is custom made to fit your unique space. With widths up to 23' wide and four projections up to 13'0"!

*The Regal components meet stringent ISO 9001 and TUV standards and are assembled in the USA by skilled craftspeople.*



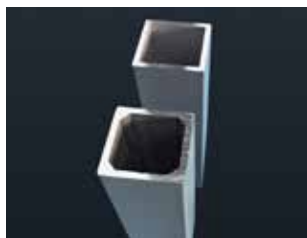
### ARM TENSION SYSTEM

The 11 cable ART belt system has been tested to 72,000 cycles to provide maximum life to your shading system.



### MOTORIZED

Easy motorized, touch of a button operation. Includes the functionality of a manual override feature should you lose power.



### HEAVY DUTY TORSION BAR

The Regal comes standard with a heavy duty, 40mm x 40mm, galvanized steel torsion bar that is powder coated to match the framework of the awning. For coastline applications, we offer an optional 8mm thick walled powder coated aluminum torsion bar.

### ARM LIFE EXPECTANCY:

|   |       |   |                      |
|---|-------|---|----------------------|
| ➔ | ART   | — | <b>60,000 Cycles</b> |
|   | CHAIN | — | 8,000 Cycles         |
|   | CABLE | — | 5,000 Cycles         |

### STANDARD PRODUCT WARRANTY

- Lifetime on Framework
- 12 years (non prorated) on the fabric & seams
- 8 years on motor and electronics



Your independently owned and operated dealer



Rainier has been providing quality shading solutions since 1896. For more information please visit:

**RAINIERSHADING.COM**