



SHASTA SERIES

• PREMIUM GRADE/RESIDENTIAL



The Shasta can drop down for full porch and window coverage. This feature is perfect for providing shade from low sun angles and helps reduce energy costs for your home. It can also be raised up when not needed to maintain your view.

- ▼ Available in Widths up to 30 feet with drop & projection up to 5 feet
- ▼ Carries a comprehensive 10 year frame warranty
- ▼ Graphics can be added to the fabric for commercial signage
- ▼ Optional aluminum protective hood to guard the fabric from the elements
- ▼ Choose from more than 150 long lasting, fade resistant solution dyed acrylic  fabrics to best match your unique décor and style
- ▼ Motorized push operation by 
- ▼ Spring loaded arms to keep the fabric taut
- ▼ Emerald and Diamond Protection are both optional
- ▼ Frame available in White, Camel and Spartan Bronze

PRODUCT DETAILS AND TECHNICAL SPECS

WARRANTY INFORMATION

Frame: 10 Years*

Fabric: 10 Years*

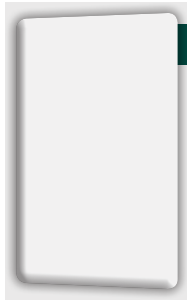
Motor/Electronics: 5 Years*

*To the original purchaser

OPTIONAL EXTENDED WARRANTIES:



HARDWARE COLOR OPTIONS



WHITE



CAMEL
RAL 1019



SPARTAN BRONZE
Rainier Unique Color

MINIMUM WIDTHS

DRIVE TYPE	Shasta
	Minimum Width
Altus Non-Override	2'8¼"
RTS Override	3'0½"
Manual Gear	2'0"

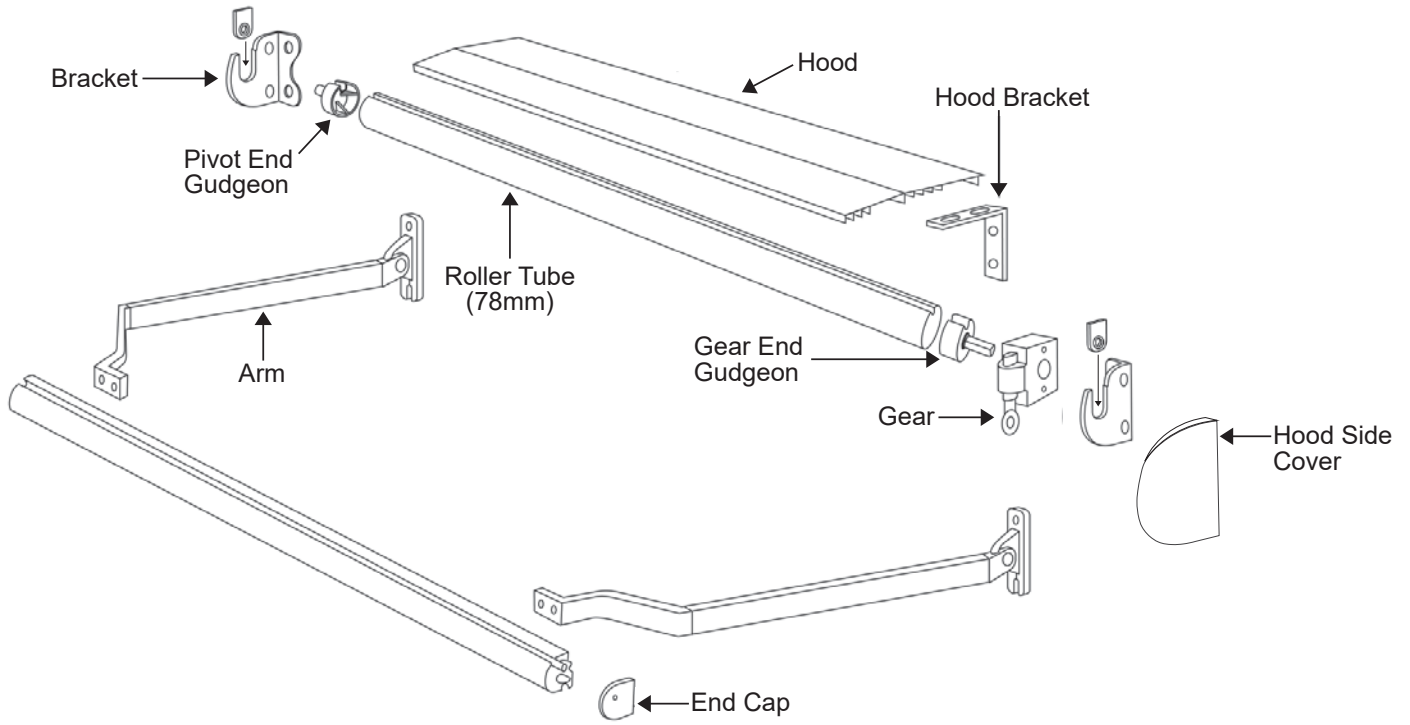
ADJUSTABLE INCLINE



The retractable nature of the Shasta allows you to adjust the product to best suit your shading or privacy needs. You will reduce interior room temperatures up to 20 degrees by stopping the sun's heat before it reaches the glass. For low sun, The Shasta can be adjusted down to provide virtually complete coverage of the window or the opening.

With 170 degrees of adjustable inclination, you determine how much of the sun's heat and light you need. When you desire full exposure, your Shasta can be fully retracted under the optional protective hood or stored under a overhang, protecting the fabric from the elements.

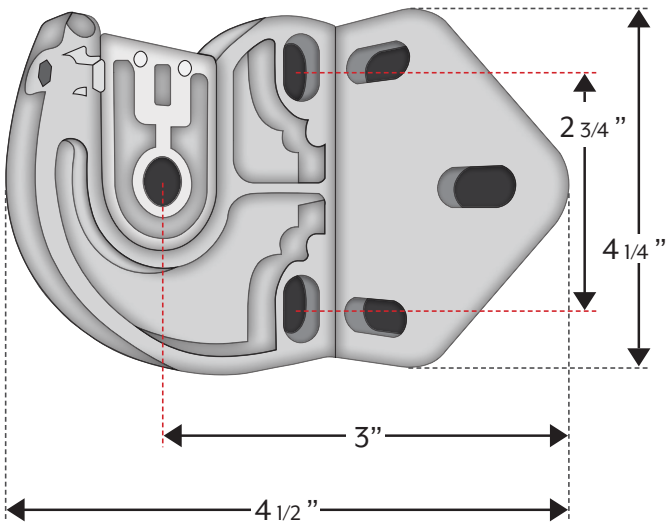
UNIT EXPANDED VIEWS



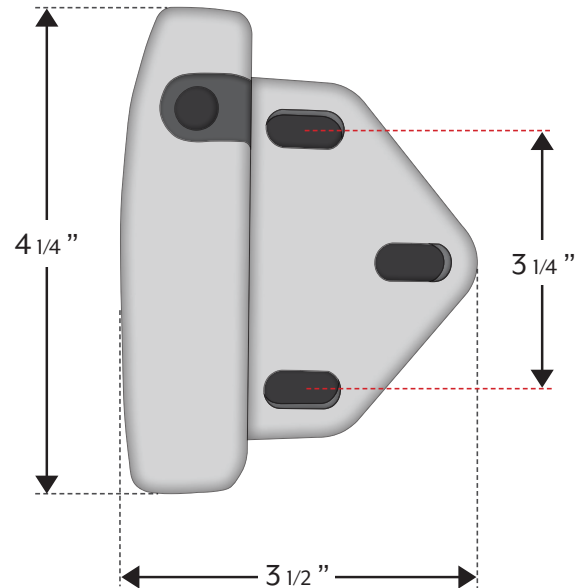
BRACKET DIMENSIONS

► SHASTA BRACKET For wall or soffit mounting

Bracket - (Inside) Side View



Bracket - Front View



ARM & BRACKET ASSIGNMENTS

NUMBER OF ARMS AND CENTER SUPPORT USE

UNIT WIDTH	# OF ARMS	CENTER SUPPORTS
up to 13'0"	2	0
13'0" to 20'0"	4	0
20'0 1/8" to 22'0"	4	2
22'0 1/8" to 30'0"	4	2

HOOD BRACKET ASSIGNMENT

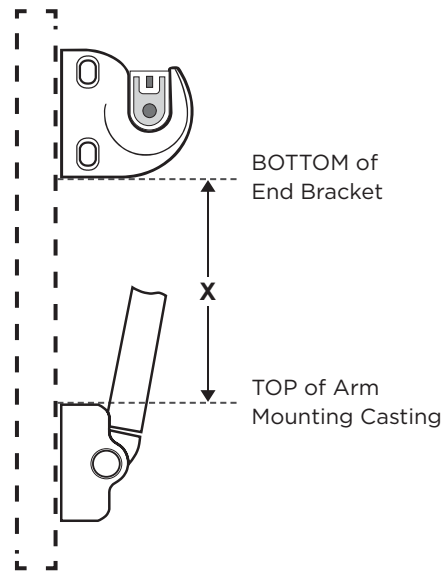
UNIT WIDTH	# OF BRACKETS	UNIT WIDTH	# OF BRACKETS
up to 6'0"	2	18' 1/8" to 22'0"	6
6' 1/8" to 10'0"	3	22'0" to 26'0"	7
10' 1/8" to 14'0"	4	26' 1/8" to 30'0"	8
14' 1/8" to 18'0"	5		

VERTICAL POSITIONING

VERTICAL POSITIONING OF SHASTA

All dimensions are measured from the **BOTTOM** of the end bracket to the **TOP** of the arm mounting casting.

If Projection Is:	Then "X" Is:
2'0"	19 3/4"
2'4"	23 1/2"
2'8"	27 3/4"
3'0"	31 3/4"
3'4"	35 3/4"
3'8"	39 3/4"
4'0"	43 3/4"
4'4"	47 3/4"
4'8"	51 3/4"
5'0"	55 3/4"



MOUNTING & ADJUSTING



MOUNTING AND ADJUSTING

Shasta awnings can be wall or ceiling mounted to provide shade where you need it. The spring loaded arms provide you the option to adjust the unit from fully retracted to full coverage.

DEGREE OF INCLINATION

WALL MOUNTING

CEILING/SOFFIT MOUNTING

