



THE RAINIER SERIES

• PREMIUM GRADE/RESIDENTIAL



The Rainier model is our most popular unit, offering maximum value for your investment. This awning can be mounted just about anywhere, including a specially designed roof mount. With the Rainier, you're just a touch of a button away from everything you need (manual crank operation is available). The Rainier features smooth clean lines in the powder coated aluminum frame, stainless steel hardware and over 900 LBS. of spring tension in the lateral arms. This ensures a great looking, high performance awning.

- ▼ Awning Widths up to 40 feet (Ships up to 26' in one piece)
- ▼ Awning Projections up to 11'6"
- ▼ Blocks up to 98% of harmful UV rays
- ▼ Frame available in White, Camel and Spartan Bronze
- ▼ Choose from more than 150 long lasting, fade resistant solution dyed acrylic  fabrics to best match your unique décor and style
- ▼ Motorized push operation by 
- ▼ Features Advanced Ribbon Technology® (ART)
- ▼ Diamond and Emerald Protection warranties are both optional

PRODUCT DETAILS AND TECHNICAL SPECS

WARRANTY INFORMATION

Frame: 10 Years*

Fabric: 10 Years*

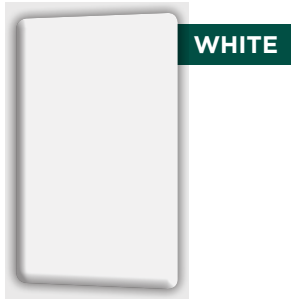
Motor/Electronics: 5 Years*

*To the original purchaser

OPTIONAL EXTENDED WARRANTIES:



HARDWARE COLOR OPTIONS



WHITE



CAMEL
RAL 1019

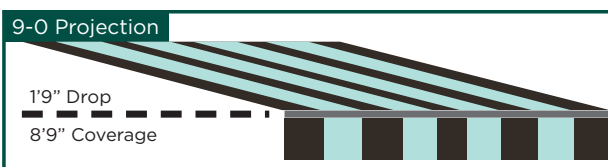
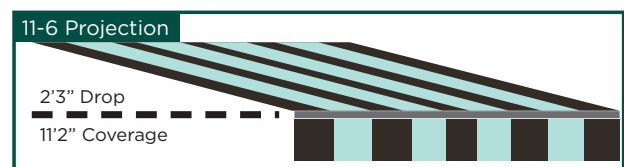
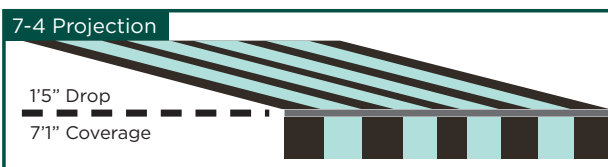
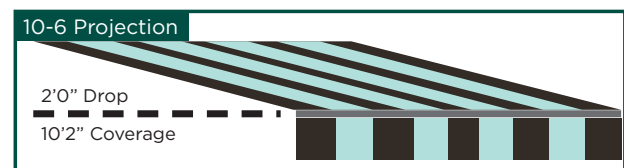
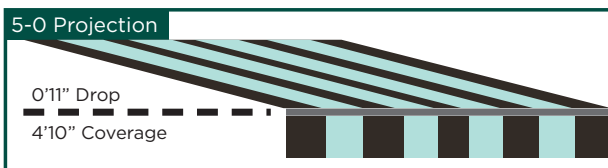


SPARTAN BRONZE
Rainier Unique Color

MINIMUM WIDTHS

OPEN ROLLER OR STANDARD HOOD		
Projection	MINIMUM WIDTHS	
	Cross Arm	Standard
5'0"	4'0"	6'7"
7'4"	5'6"	9'1"
9'0"	6'6"	10'8"
10'6"	7'6"	12'4"
11'6"	8'0"	13'2"

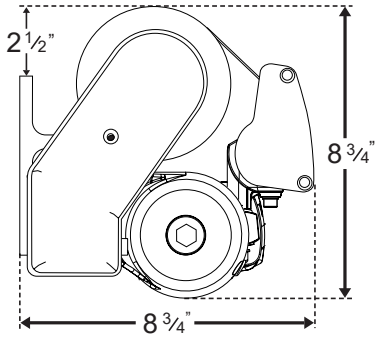
MINIMUM PITCH REQUIREMENTS



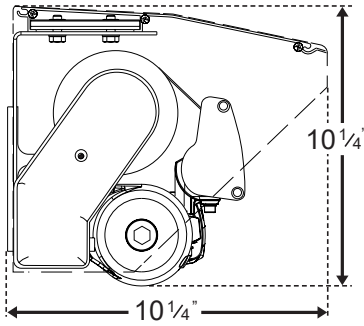
UNIT PROFILE VIEWS

THE RAINIER

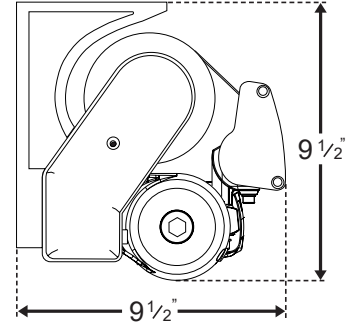
RAINIER
Wall Mount (No Hood)



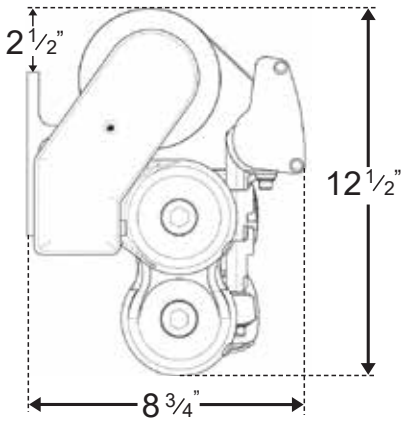
RAINIER
Wall Mount (With Hood)



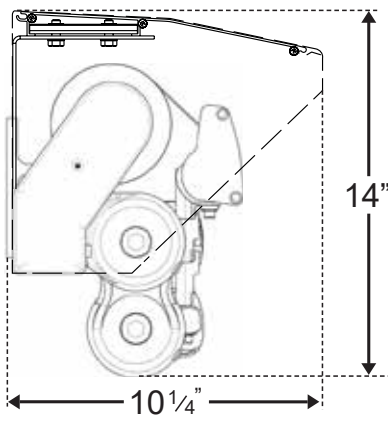
RAINIER
Soffit Mount (no hood option available)



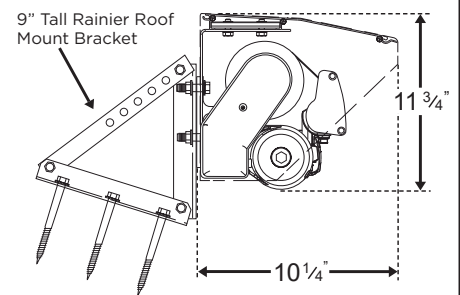
RAINIER - Cross Arm
Wall Mounted (no hood)



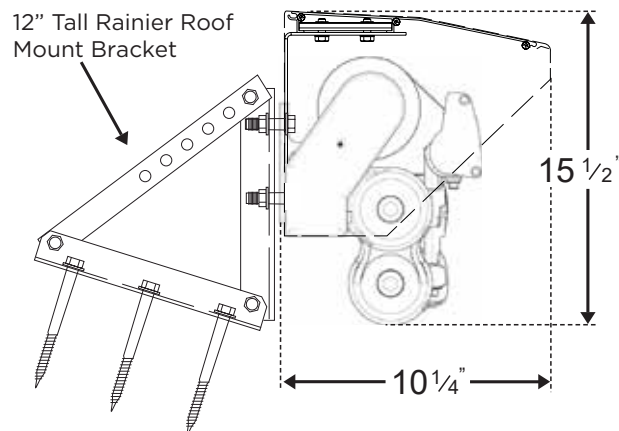
RAINIER - Cross Arm
Wall Mounted (with hood)



RAINIER - Roof Mount
(with 9" roof brackets & hood)



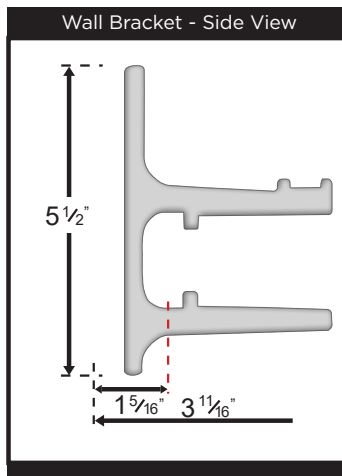
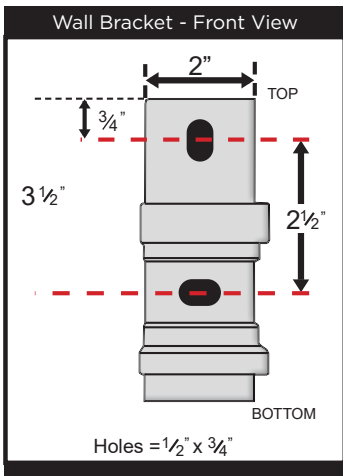
RAINIER - Cross Arm
Roof Mount (with 12" roof brackets & hood)



BRACKETING & ARM COUNT DETAILS

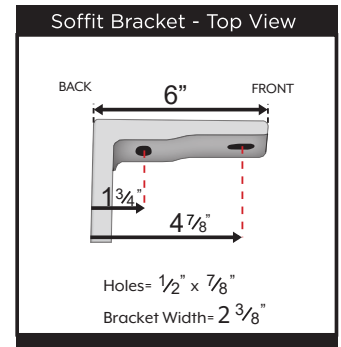
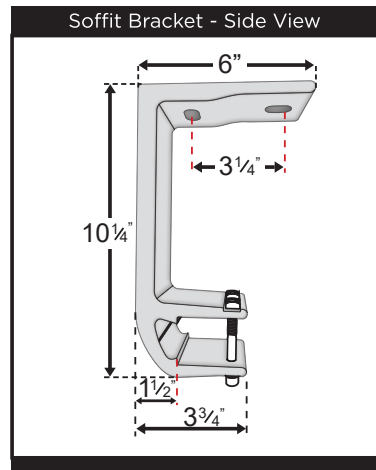
40 x 40mm WALL MOUNT BRACKET

- All Sizes
- All Formats
- All Options



40 x 40mm WALL MOUNT BRACKET

- All Projections with Drop Shade
- All Formats
- All Options



For all units up to 11'6" projections or with drop shade, please refer to the Bracket Details in the Olympus Technical Specs Guide.

STANDARD UNIT - ARMS BY PROJECTION		
Projection	Unit Width	# of Arms
5'0"	up to 20'0"	2
5'0"	20'0 1/8" to 40'0"	4
7'4"	up to 20'0"	2
7'4"	20'0 1/8" to 40'0"	4
9'0"	up to 20'0"	2
9'0"	20'0 1/8" to 23'0"	3
9'0"	23'0 1/8" to 40'0"	4
10'6"	up to 20'0"	2
10'6"	20'0 1/8" to 26'0"	3
10'6"	26'0 1/8" to 40'0"	4
11'6"	up to 19'0"	2
11'6"	19'0 1/8" to 30'0"	3
11'6"	30'0 1/8" to 40'0"	4

STANDARD UNIT - INSTALLATION BRACKET ASSIGNMENT				
Bracket Count	Projection			
	5'0" and 7'4"	9'0"	10'6"	11'6"
3	up to 12' 11 7/8"	up to 12' 11 7/8"	up to 12' 11 7/8"	up to 10' 11 7/8"
4	13' to 16' 11 7/8"	13' to 16' 11 7/8"	13' to 16' 11 7/8"	11' to 16' 11 7/8"
5	17' to 20'	17' to 20'	17' to 20'	17' to 19' 11 7/8"
6	N/A	N/A	20' 1/8" to 22' 11 7/8"	20' 1/8" to 22' 11 7/8"
7	N/A	N/A	23' to 30' 11 7/8"	23' to 30' 11 7/8"
8	20' 1/8" to 34' 11 7/8"	20' 1/8" to 34' 11 7/8"	27' to 34' 11 7/8"	27' to 34' 11 7/8"
9	35' to 36' 11 7/8"	35' to 36' 11 7/8"	35' to 36' 11 7/8"	35' to 36' 11 7/8"
10	37' to 40'	37' to 40'	37' to 40'	37' to 40'