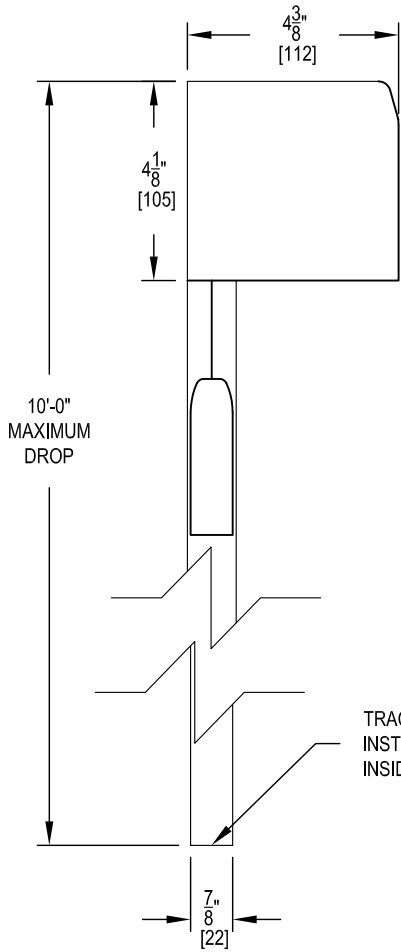




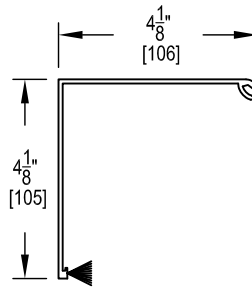
# Series 4 Square Design Specifications

## Detail Views

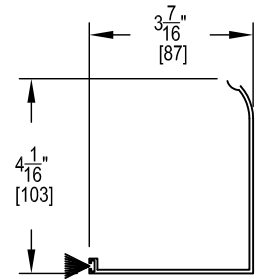


SERIES 4 SCREEN ASSEMBLY  
LEFT SIDE VIEW

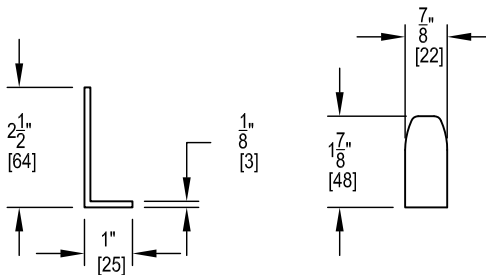
TRACK CAP  
INSTALLS  
INSIDE TRACK



SERIES 4 HOUSING

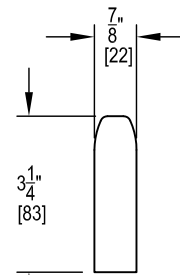


SERIES 4 HOOD - SQUARE

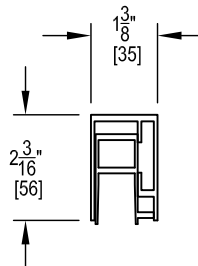


"L" MOUNTING BRACKET

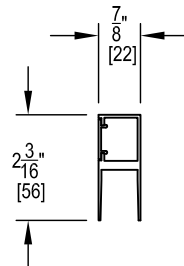
SHORT HEM BAR



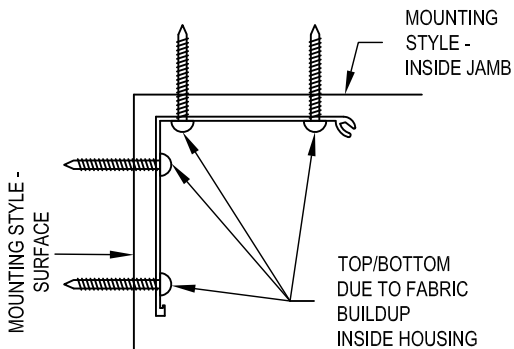
TALL HEM BAR



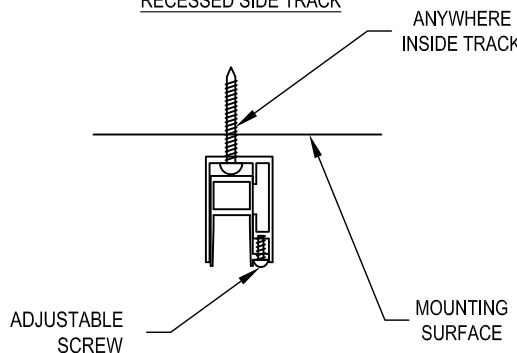
RECESSED SIDE TRACK



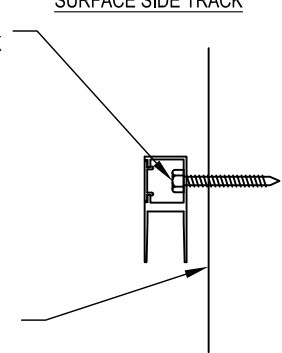
SURFACE SIDE TRACK



MOUNTING OPTIONS FOR HOUSING



MOUNTING OPTIONS FOR RECESSED TRACK



MOUNTING OPTIONS FOR SURFACE TRACK

NOTICE: This drawing shall not be copied or used for any purpose other than that for which provided. The information disclosed herein originated by and is the proprietary of Rainier Industries, and except for rights expressly granted by written consent. Such information shall not be disclosed or disseminated whole or in part. Rainier Industries reserves all patent, proprietary, design, use, sale, manufacturing and reproduction rights thereto.

DESIGNER: IRM	DATE: 2019-10-04	REV: A
DRAWING TITLE: RAINIER SERIES 4 SQUARE DETAILS		
©2019 RAINIER INDUSTRIES LTD.		SCALE: 3" = 1'-0"