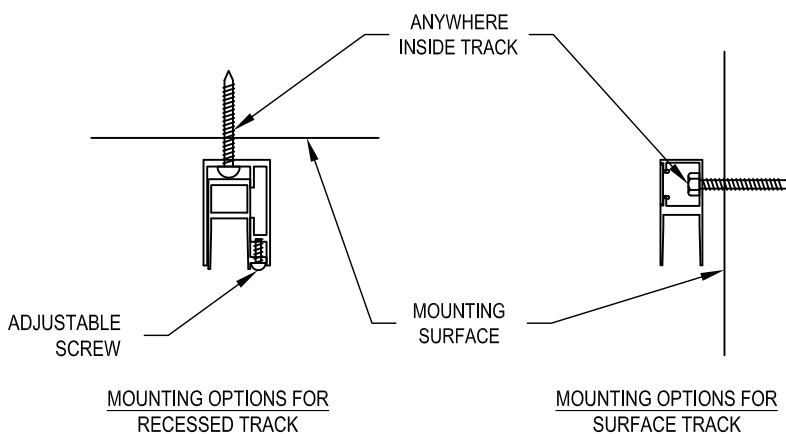
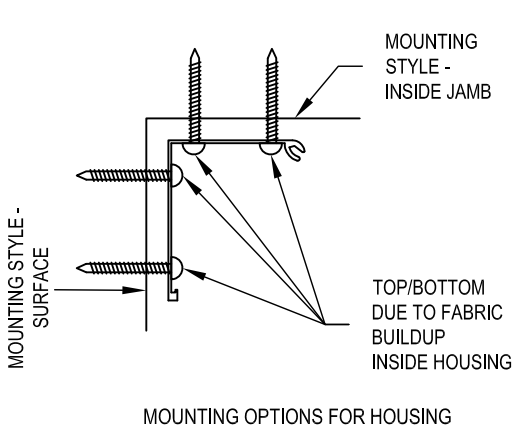
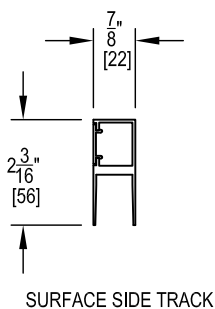
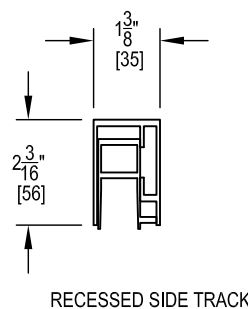
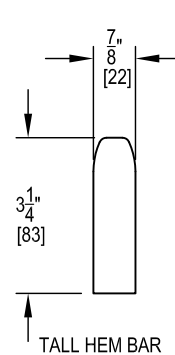
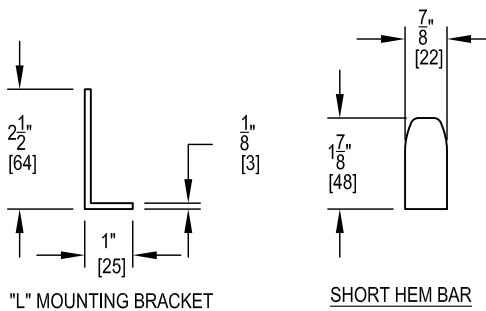
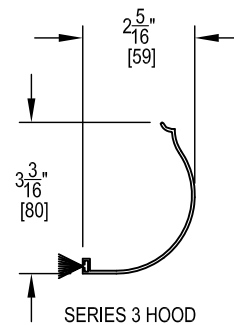
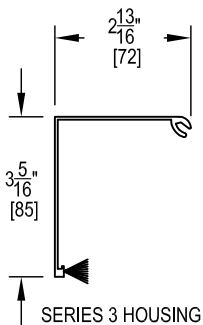
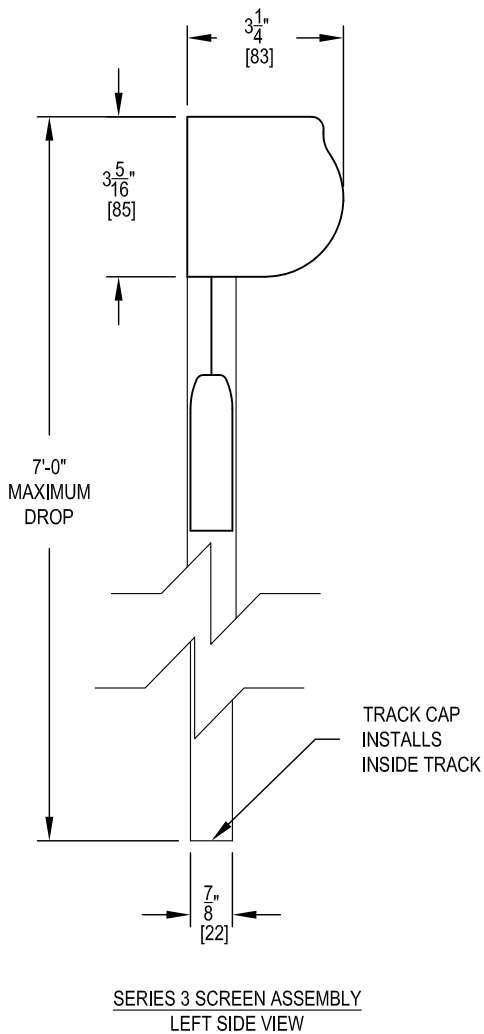




Series 3 Round Design Specifications

Detail Views



NOTICE: This drawing shall not be copied or used for any purpose other than that for which provided. The information disclosed herein originated by and is the proprietary of Rainier Industries, and except for rights expressly granted by written consent. Such information shall not be disclosed or disseminated whole or in part. Rainier Industries reserves all patent, proprietary, design, use, sale, manufacturing and reproduction rights thereto.

DESIGNER IRM	DATE 2017-07-09	REV A
DRAWING TITLE: RAINIER SERIES 3 DETAILS		
©2017 RAINIER INDUSTRIES LTD.		SCALE 3" = 1'-0"